



CE
0086



24025-913



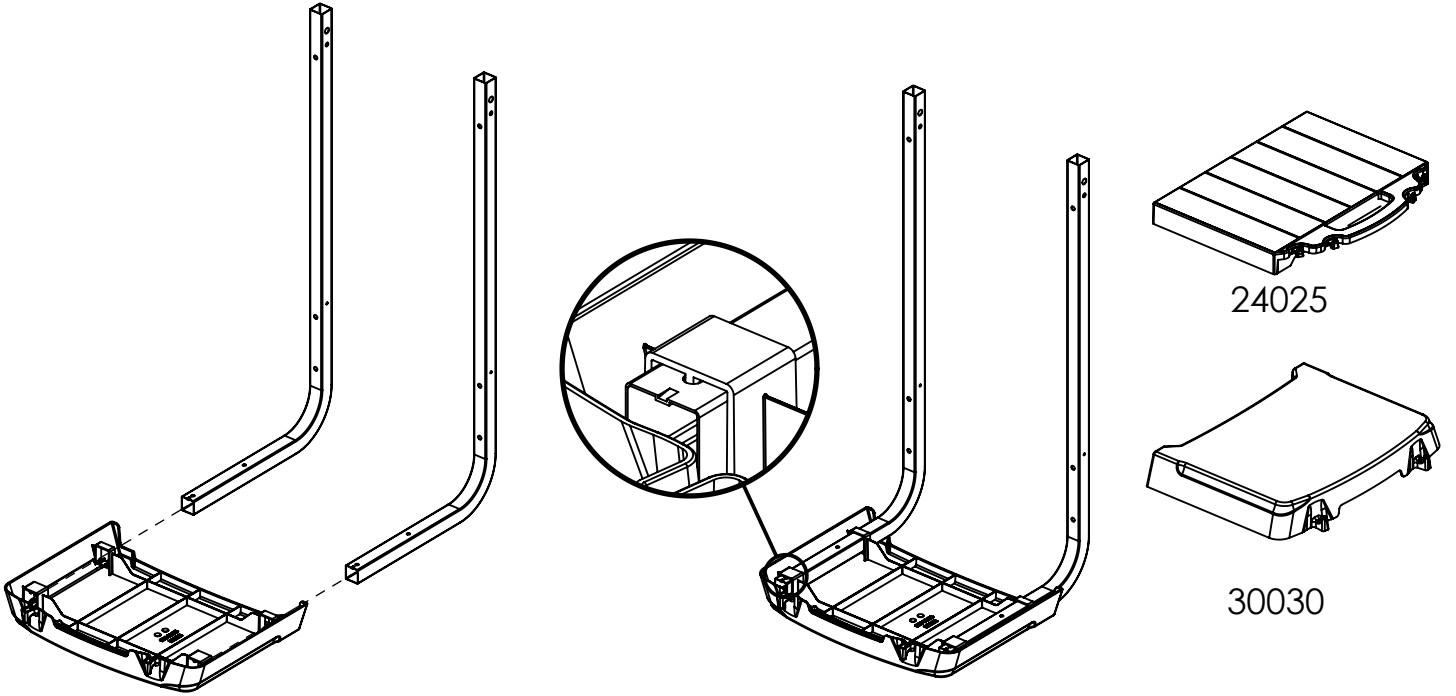
30030-913

Onward Manufacturing Company (LTD)

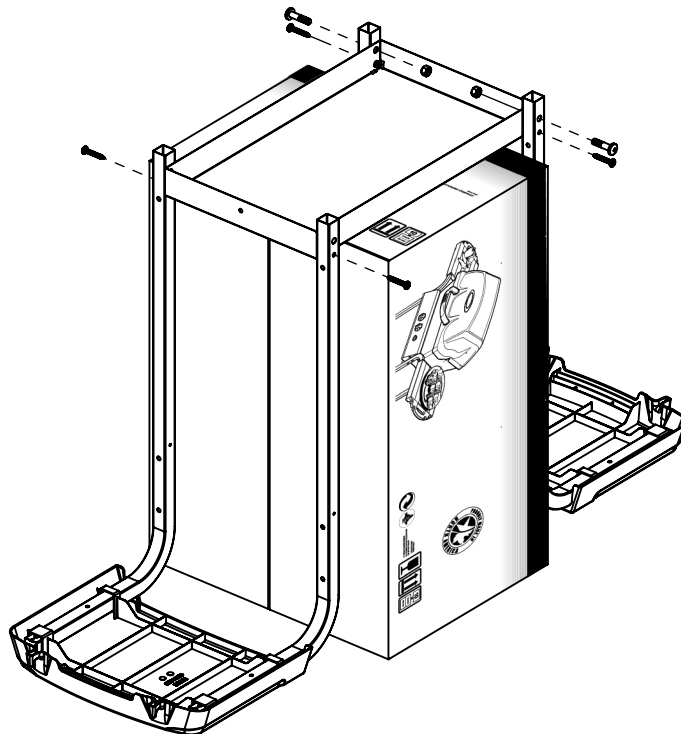
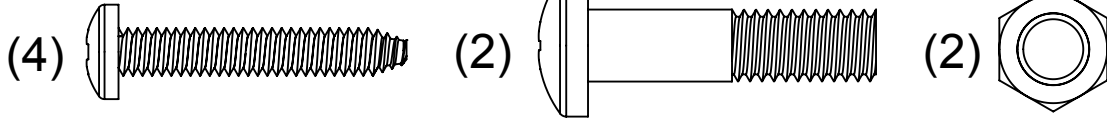
Canada 585 Kumpf Drive USA: 1 Fiesta Drive
Waterloo, ON N2V1K3 Dickson, TN 37055-7716

SP5559-37EU Rev C 12/14

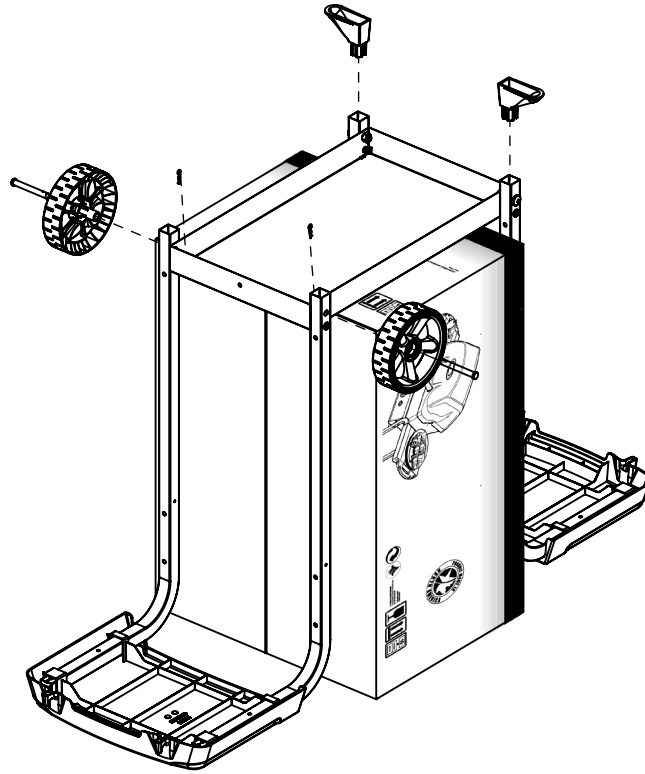
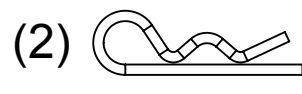
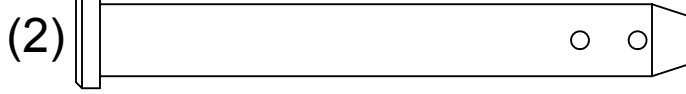
1



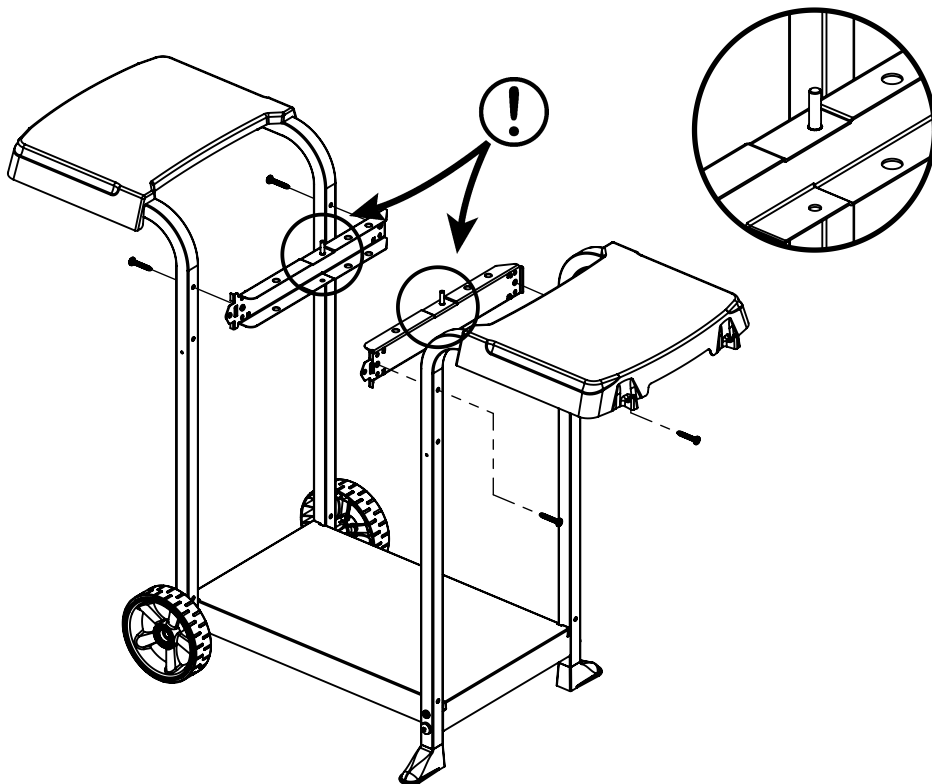
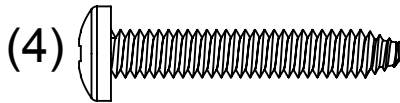
2



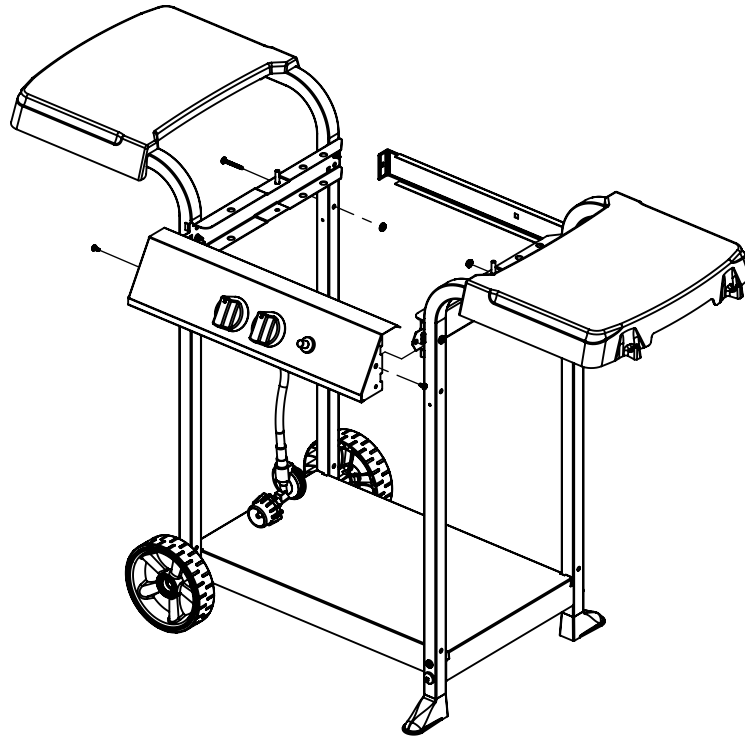
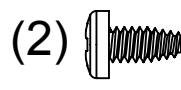
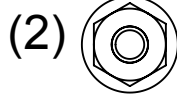
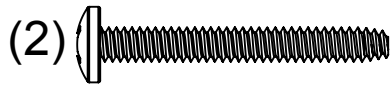
3



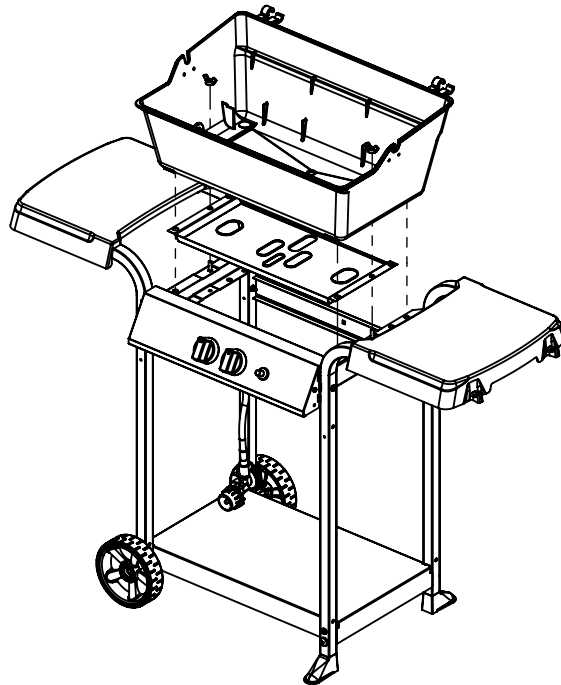
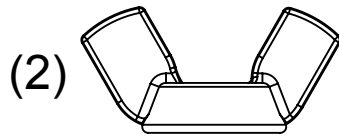
4



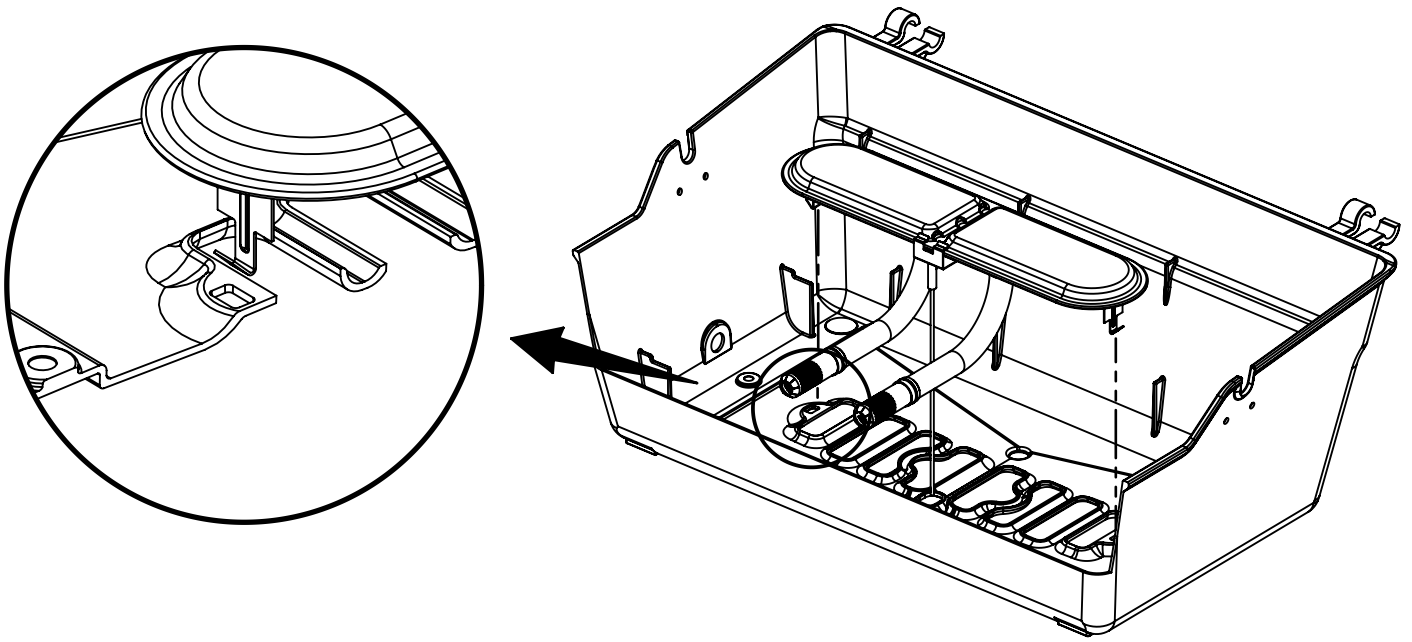
5



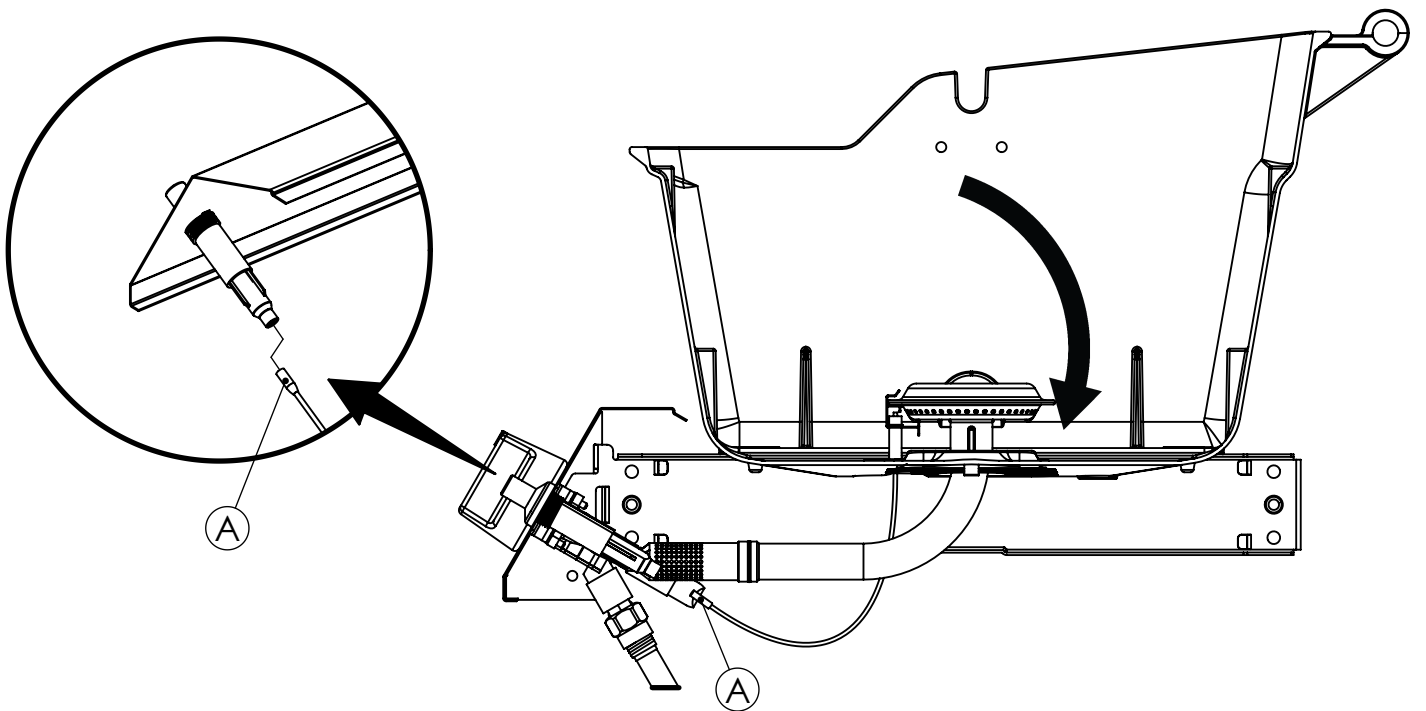
6



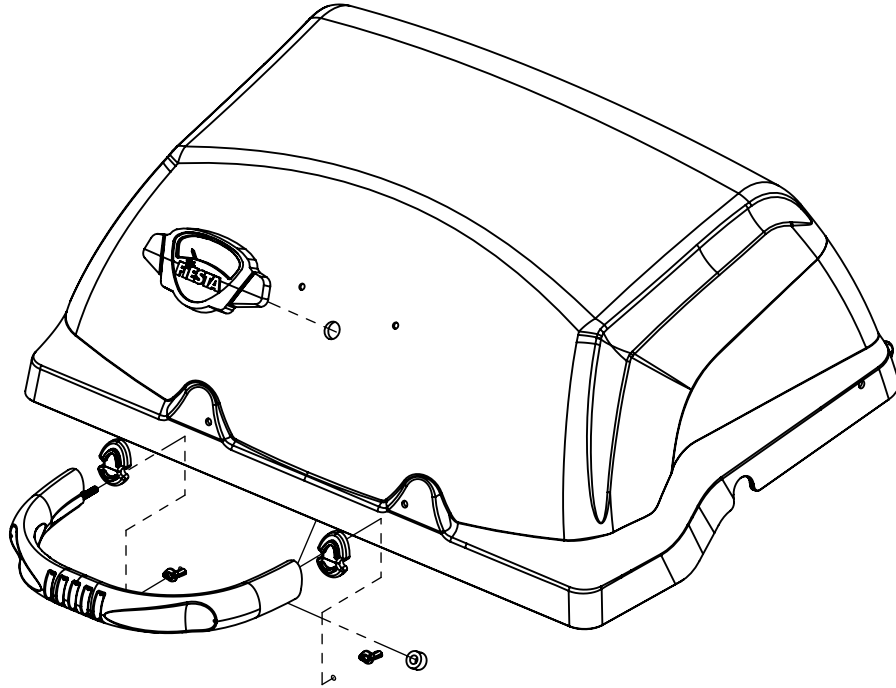
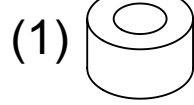
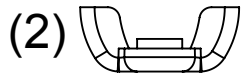
7



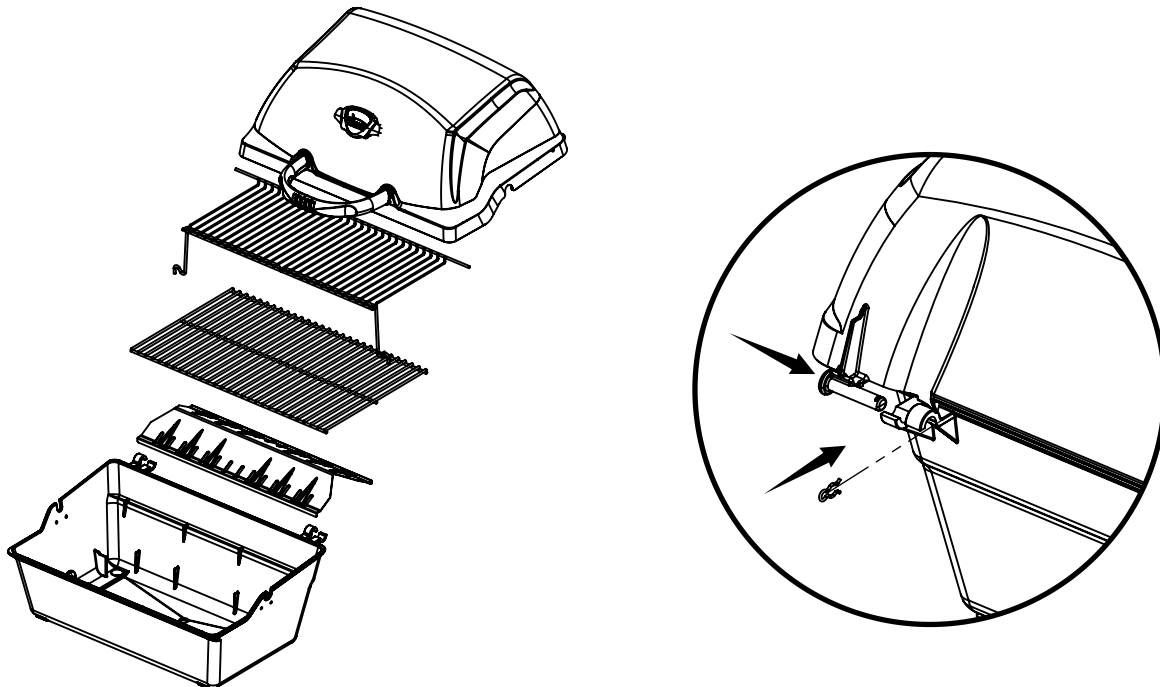
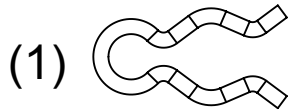
8



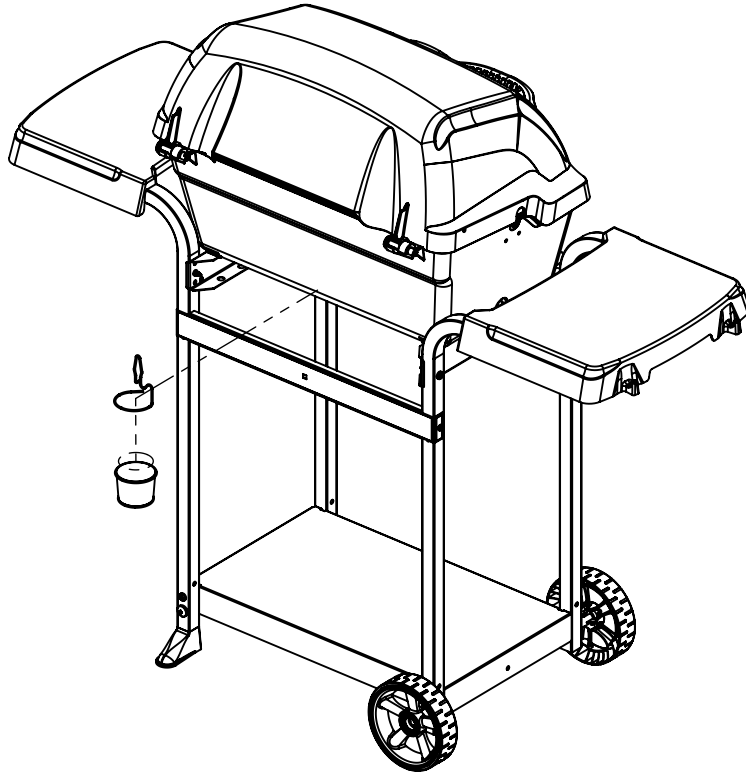
9



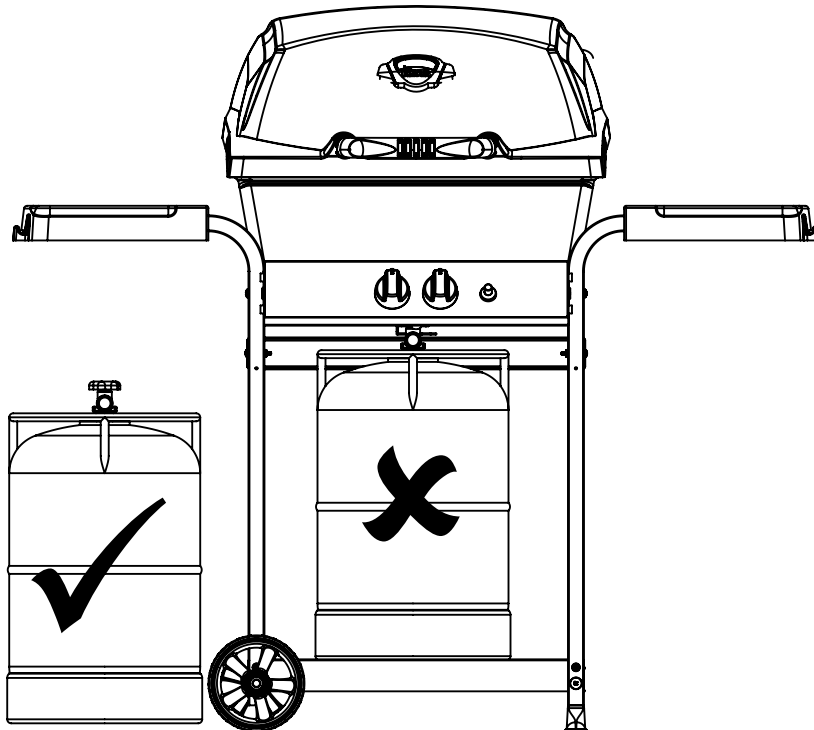
10



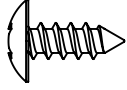
11

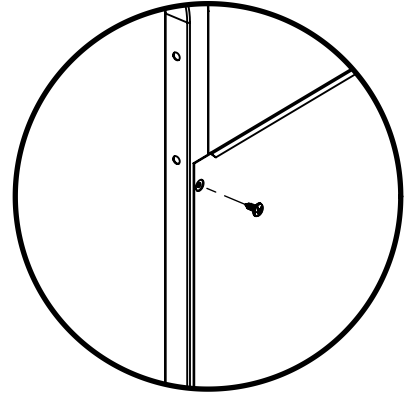
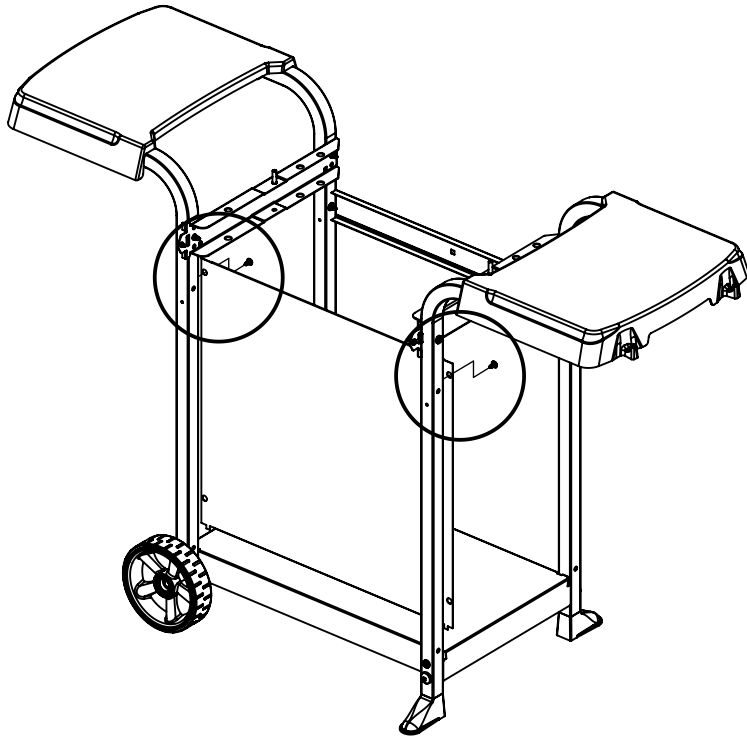


12

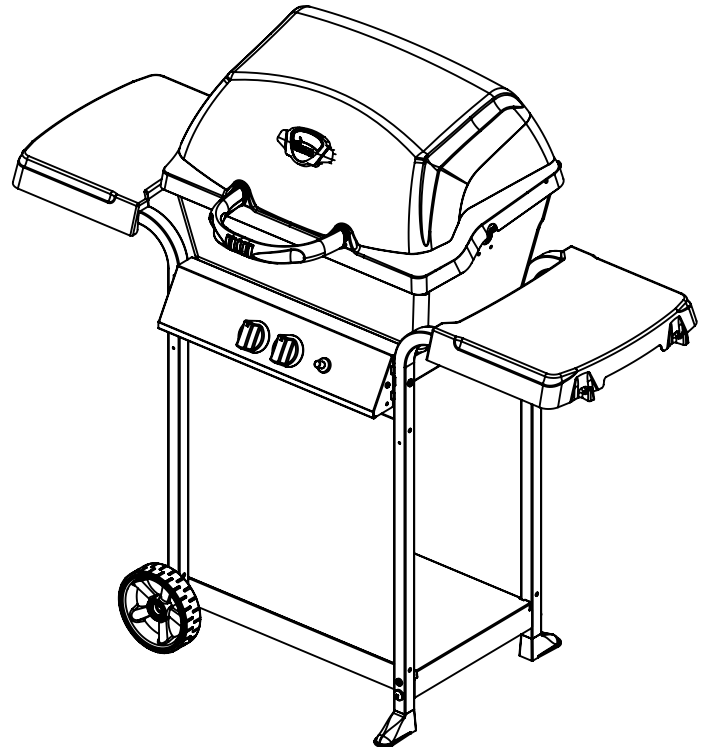
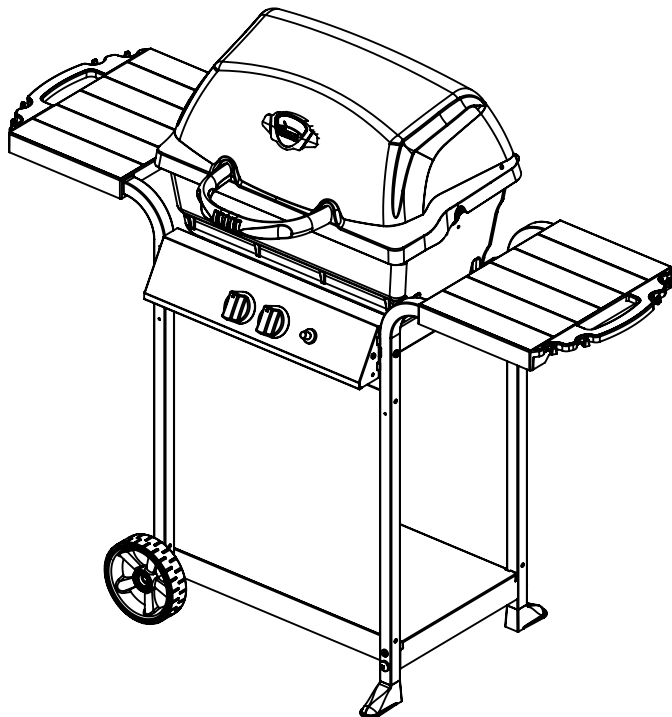


13

(2) 



14



<u>ITEM #</u>	<u>PART #</u>	<u>DESCRIPTION</u>	<u>24025-913</u>	<u>30030-913</u>
1	SM50A-1B	CASTING TOP	1	-
	10473-E301		-	1
2	SM43-2B	CASTING BOTTOM	1	-
	SM5003-2B		-	1
3	SP23A-30	NAMEPLATE	1	1
4	SP5021-3	GRID-WARMING RACK	1	-
	SP5022-3		-	1
5	SP124A-3	GRID	1	-
	SP43A-3		-	1
6	SM5072-9	FLAV-R-WAVE	1	1
7	SM191A-12	BURNER ASM	1	-
	SM190A-12		-	1
8	SP5016-20	ELECTRODE	1	1
9	SP5039-19B	LID HANDLE	1	1
10	SP5001-40	CASTING STANDOFF	2	2
20	SM5401-42BEU	CONTROL COVER	1	1
21	SP5126-4	VALVE ASM LP	1	-
	SP5131-4		-	1
23	SP11-7	CONTROL KNOB	2	2
24	10342-21	IGNITOR	1	1
30	SM5069-9	HEAT SHEILD	1	1
32	SM5038-8B	BENT LEG	4	4
35	SM5397A-42B	SUPPORT CASTING LEFT	1	1
36	SM5398A-42B	SUPPORT CASTING RIGHT	1	1
39	SM5004A-6B	BRACE - UPPER REAR	1	1
40	10711-E351R	BASE	1	1
50	10711-T451B	SHELF - SIDE	2	-
	10711-F25		-	2
54	10956-E601	FRONT PANEL	1	1
55	SP5018-18	SCREW #10	2	2
56	10892-608	WHEEL	2	2
77	S15111	GREASE CUP HOLDER	1	1
78	11494-148	LEG PLUG	2	2
79	S15112		1	1
80	SP25-16	1/4-20 WING NUT	2	2
81	Y-11560	BOLT 1/4-20 x 1 1/2	8	8
85	SP61-16		1	1
91	Y-11968	BOLT 3/8-16 x 1 3/4	2	2
92	Y-12285	NUT 3/8	2	2
93	Y-29320	BOLT 10-24 x 1 3/4	2	2
94	32010190	BOLT 10-24 X 3/4	2	2
95	Y-29304	BOLT 10-24 x 3/8	2	2
96	S21061	WING NUT 10-24	2	2
97	10240-13	PIN	2	2
98	S21233	COTTER PIN	2	2
99	SP5007-15	CLIP	1	-
	SP5004-15		-	1
101	SP23-16	NUT 10-24	2	2

