

Broil King®



CROWN 440
9821-53
9821-63



CROWN 490
9821-83



CROWN 440S
9825-53
9825-63



CROWN 490S
9825-83

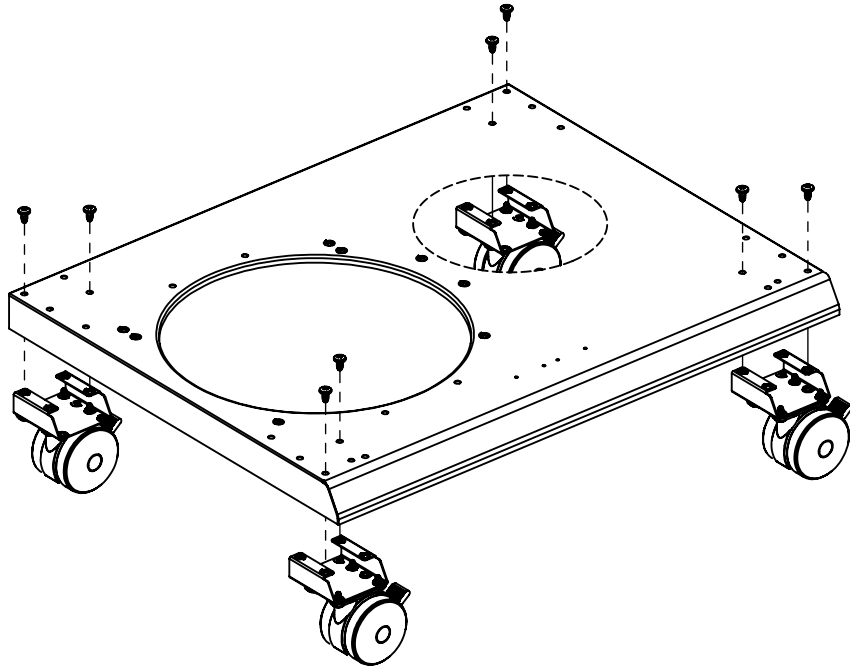
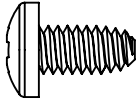
Onward
MANUFACTURING COMPANY

SINCE 1906
1000 EAST MARKET STREET
HUNTINGTON, INDIANA, 46750, USA

1-800-265-2150
info@omcbbq.com

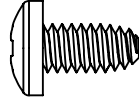
1

(8)

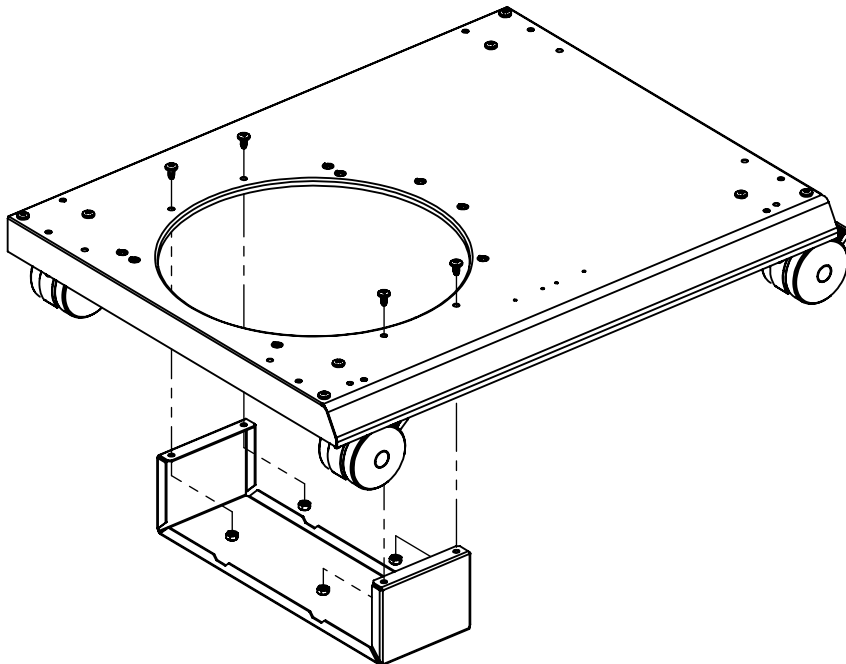
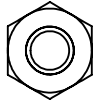


2

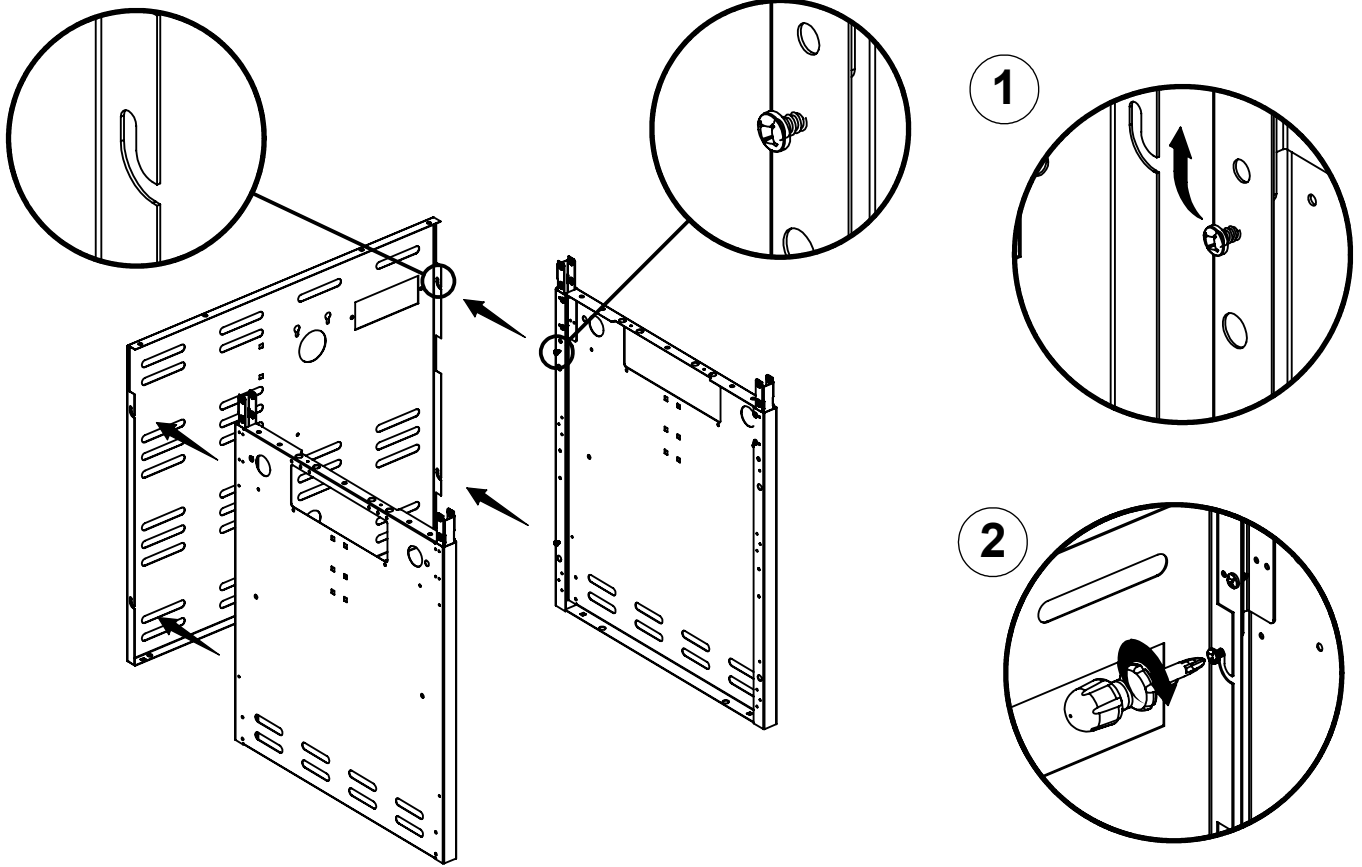
(4)



(4)

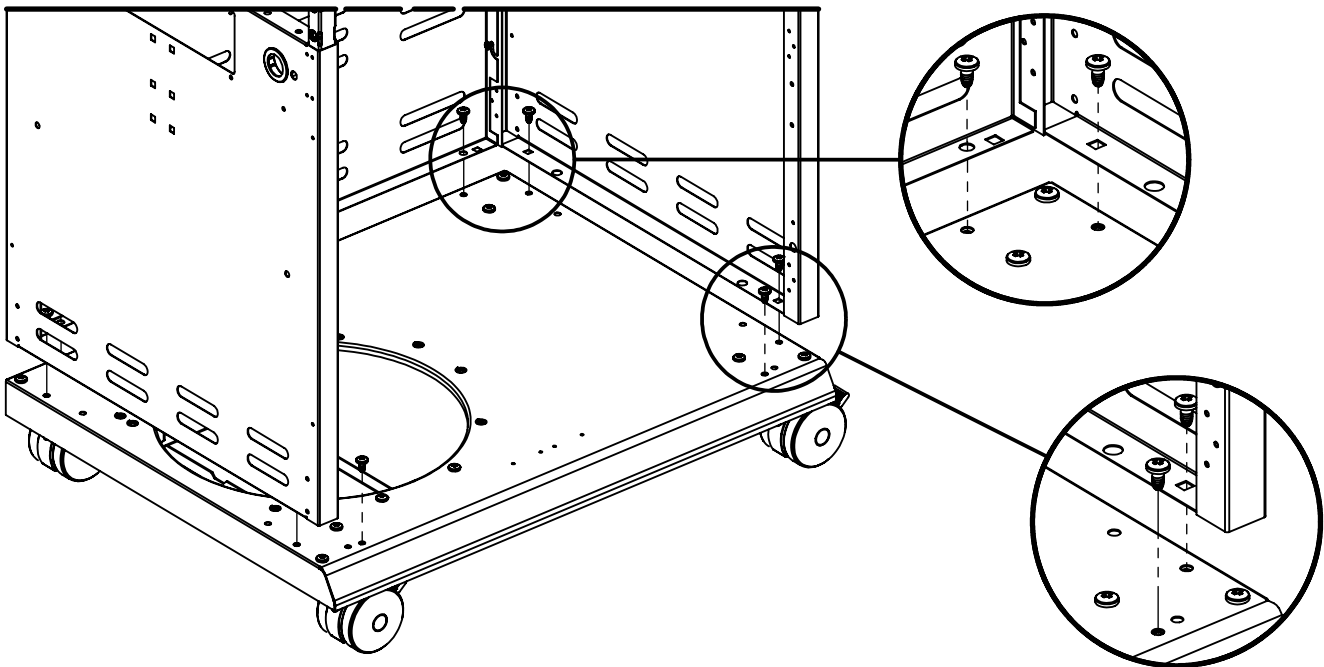
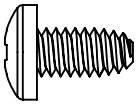


3



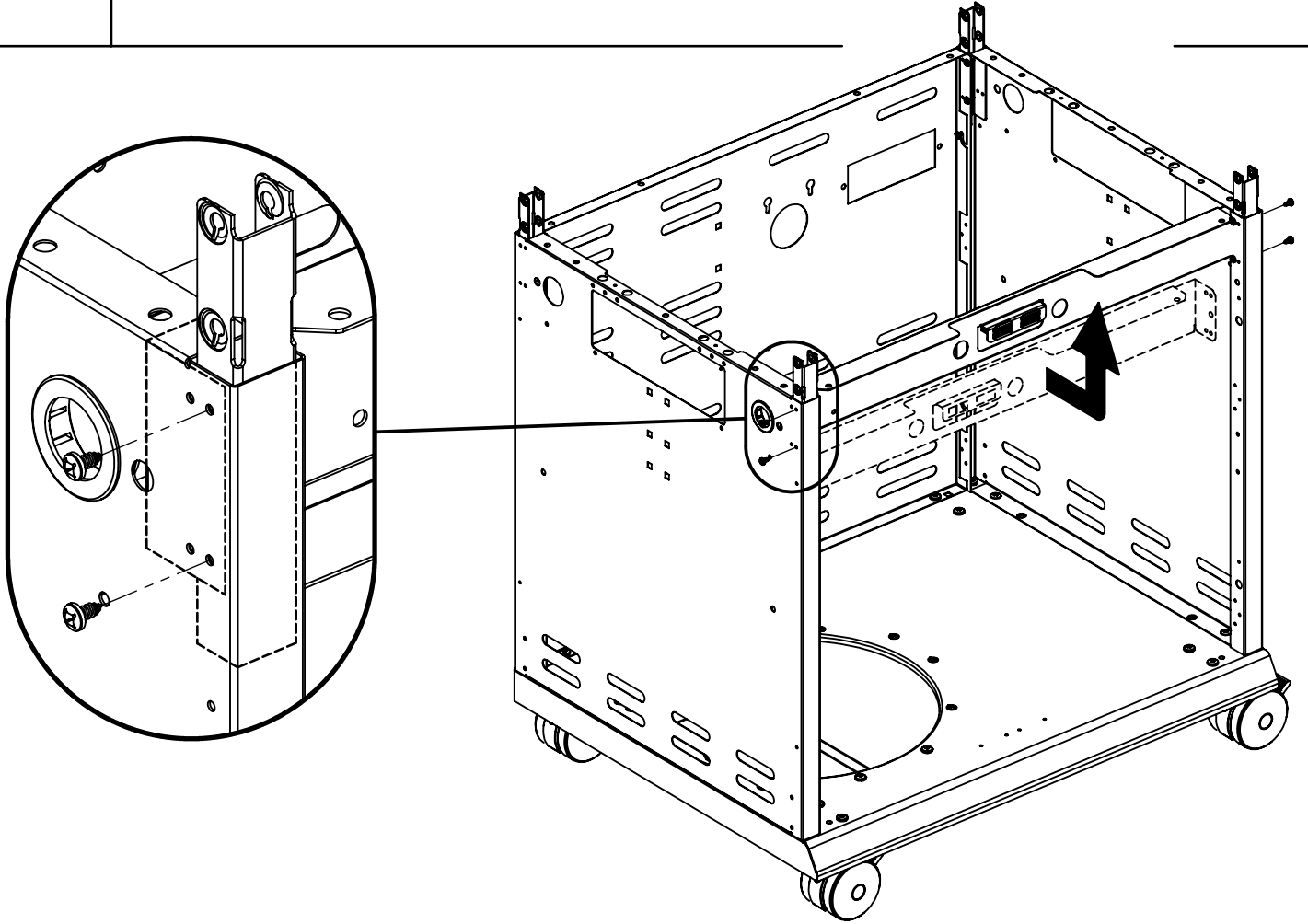
4

(8)

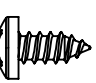


5

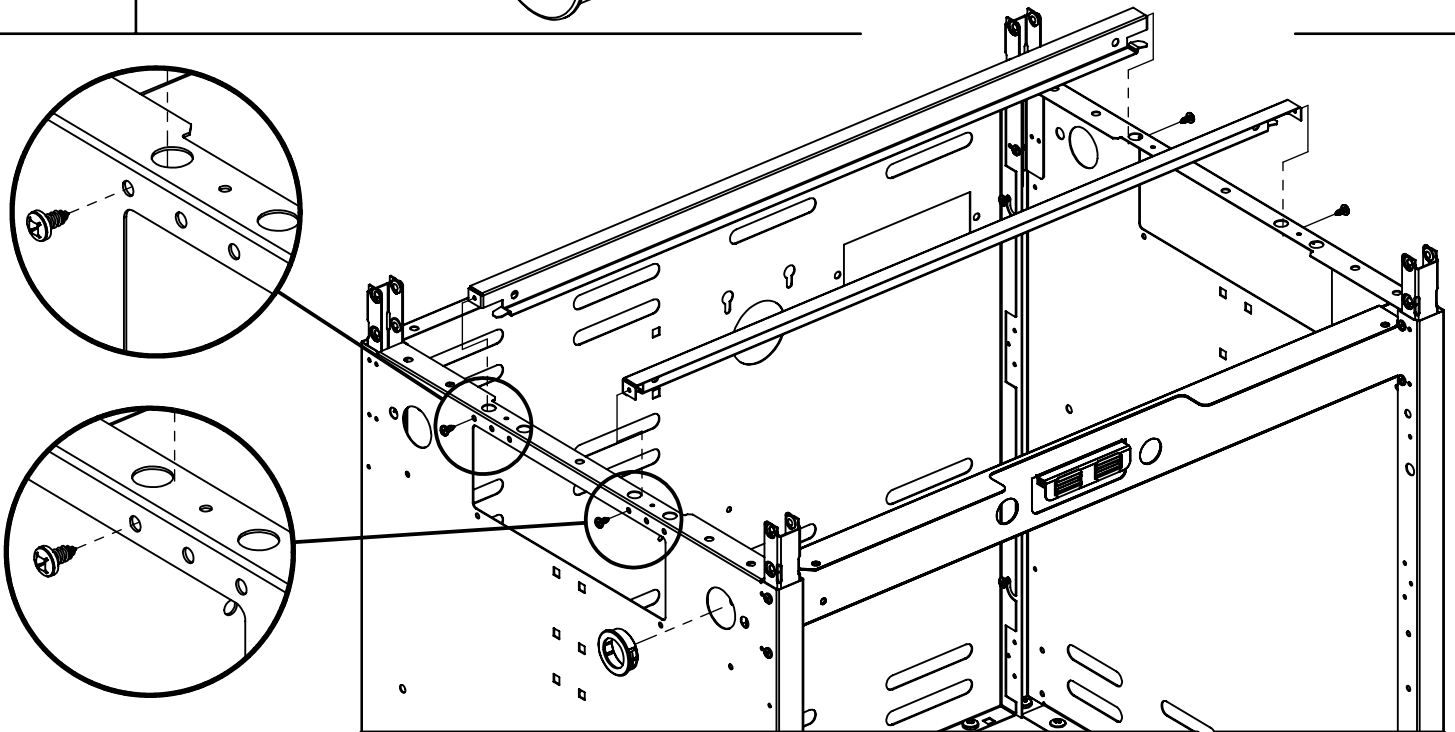
(4) 



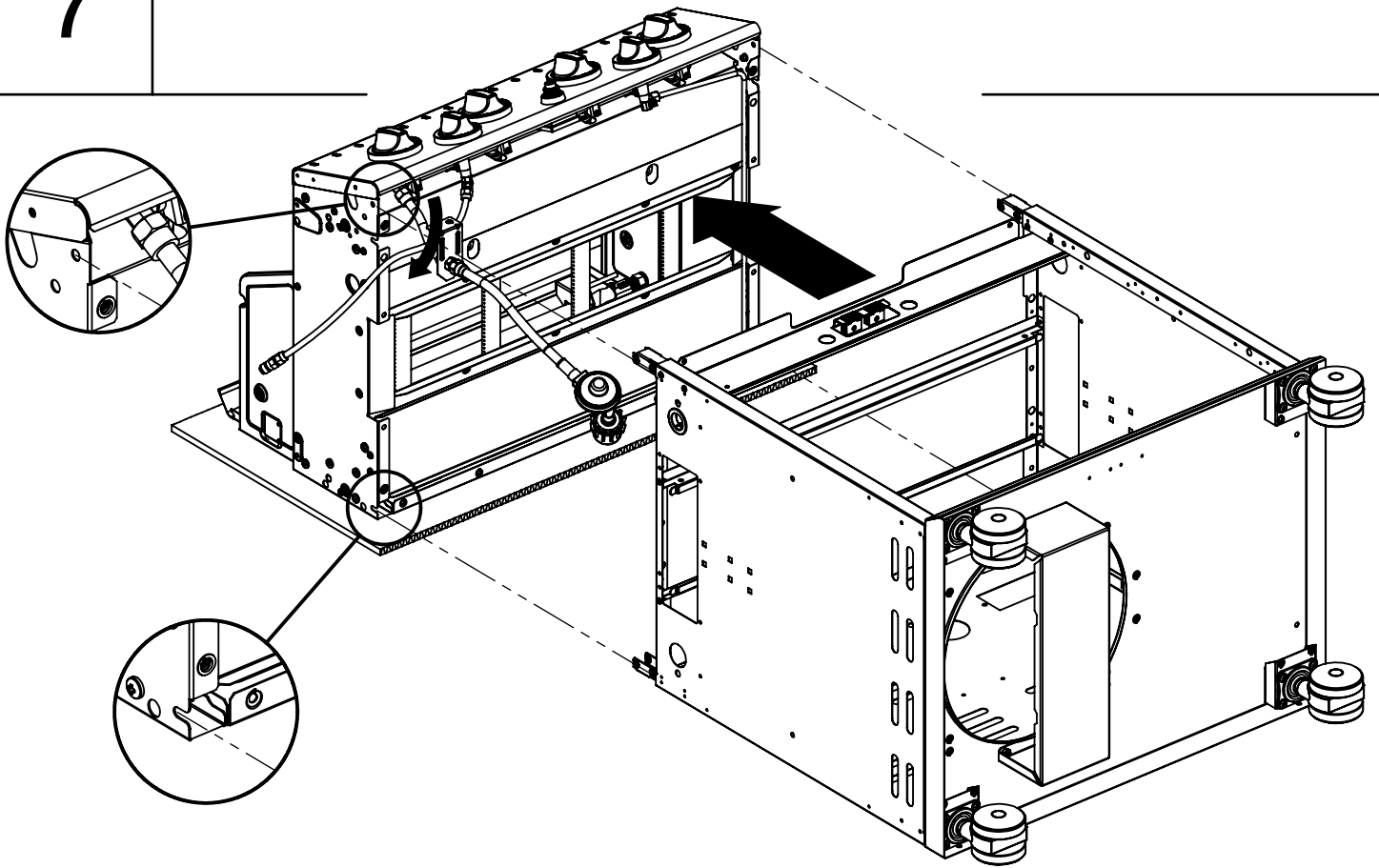
6

(4) 

(1) 



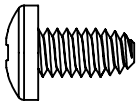
7



8

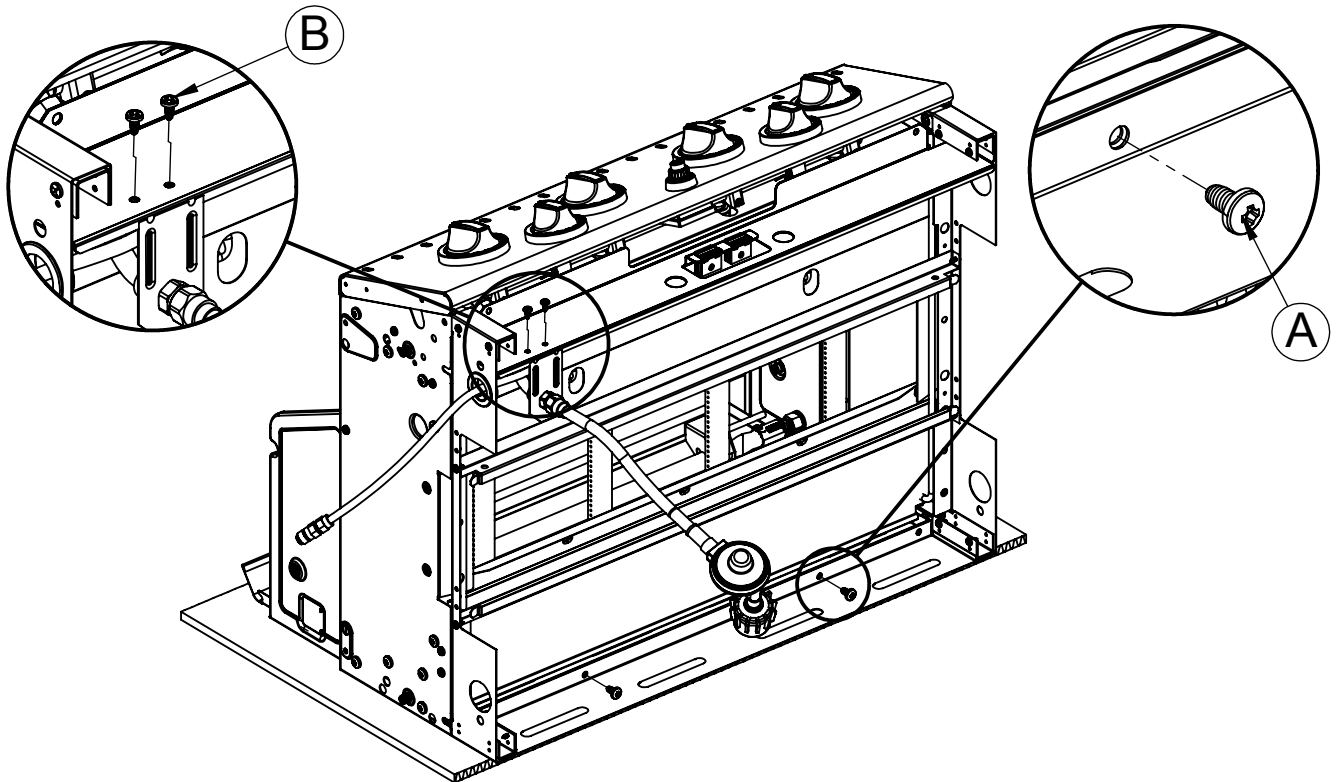
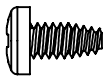
(2)

A

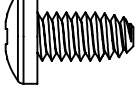


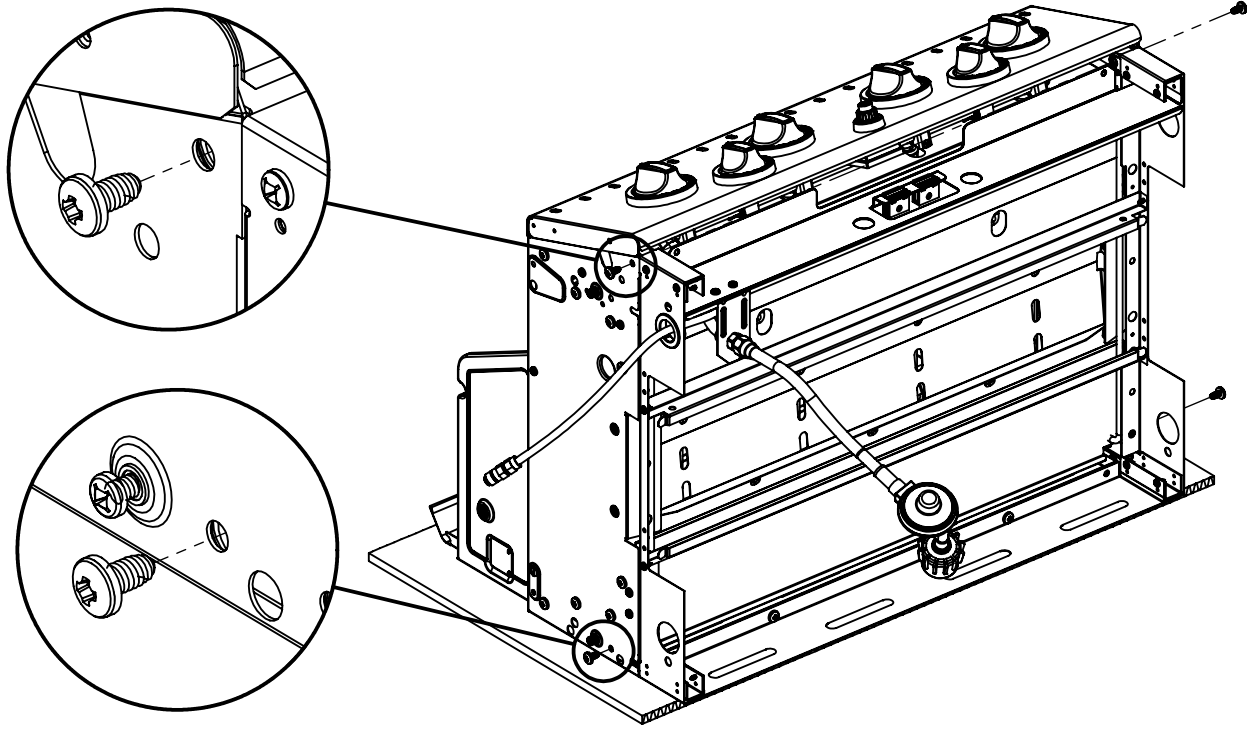
(2)

B

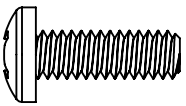
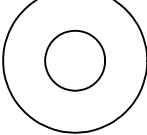


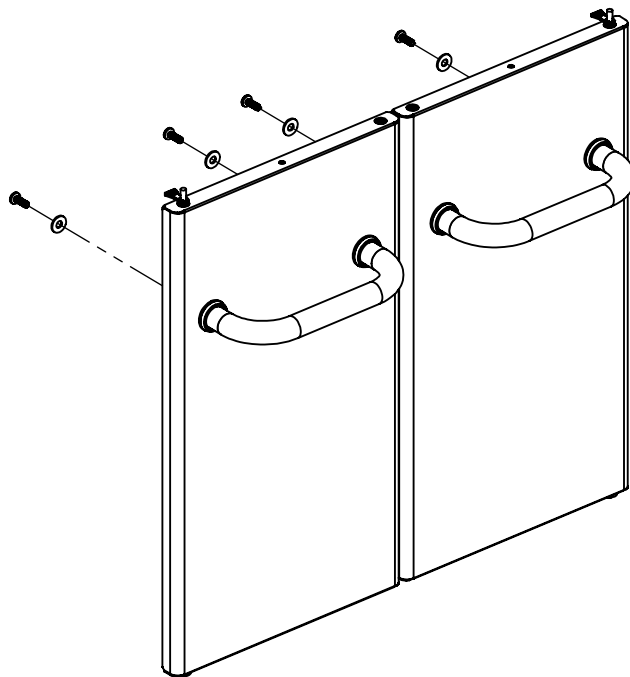
9

(4) 



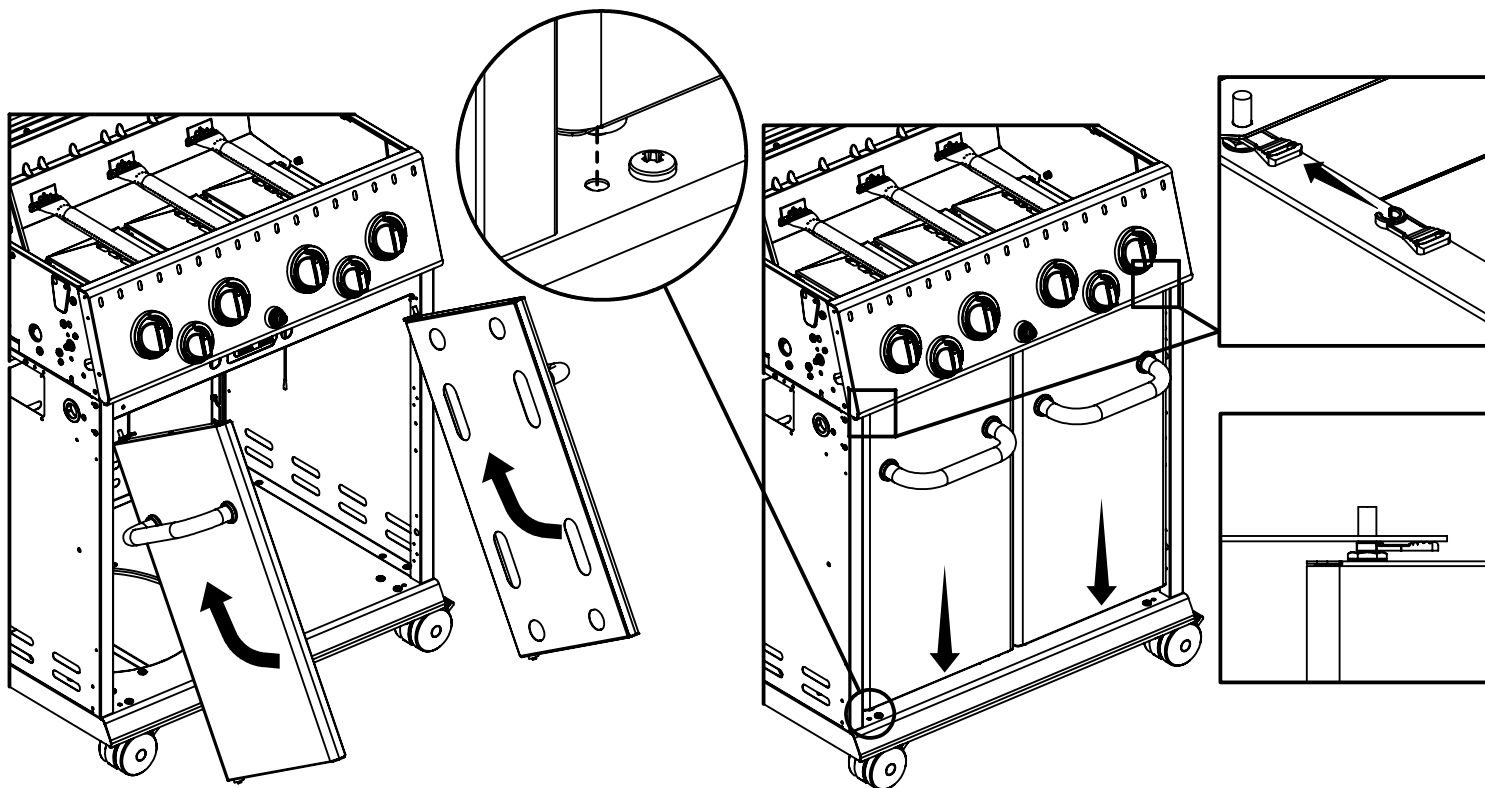
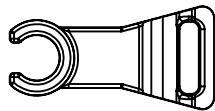
10

(4)  (4) 



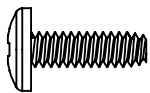
11

(2)

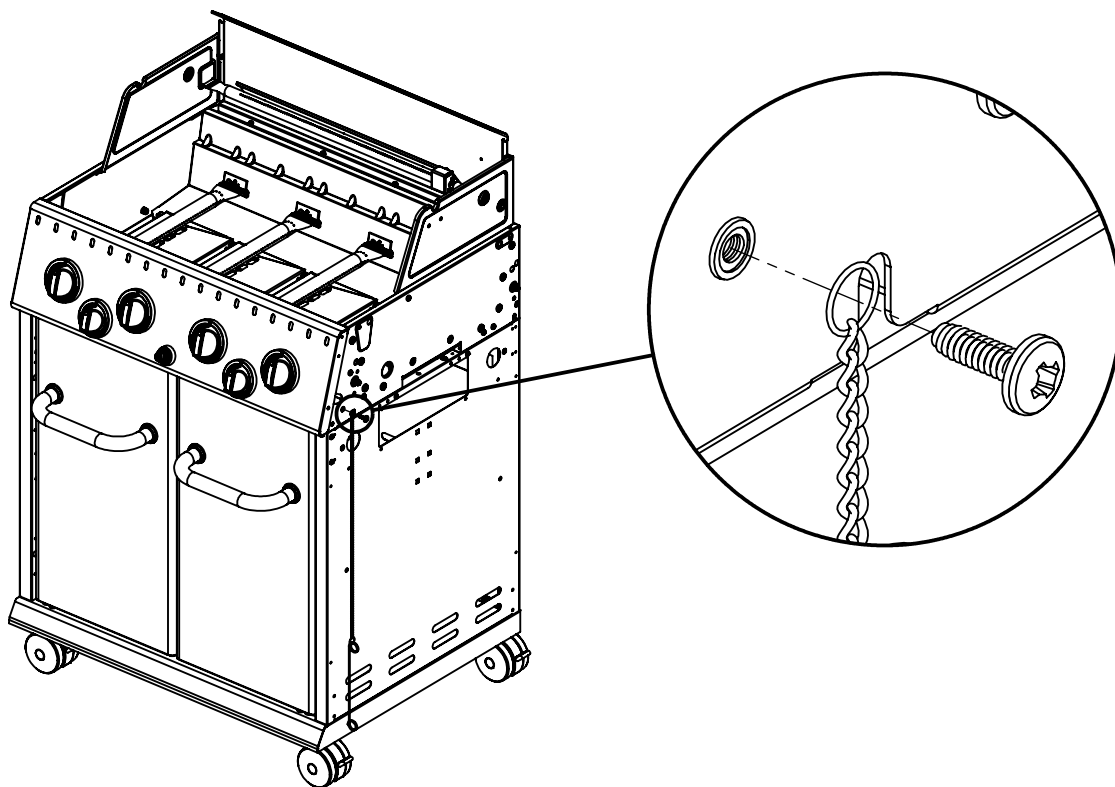
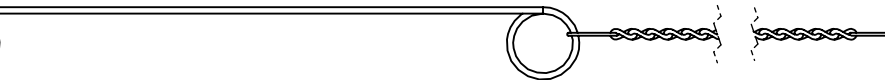


12

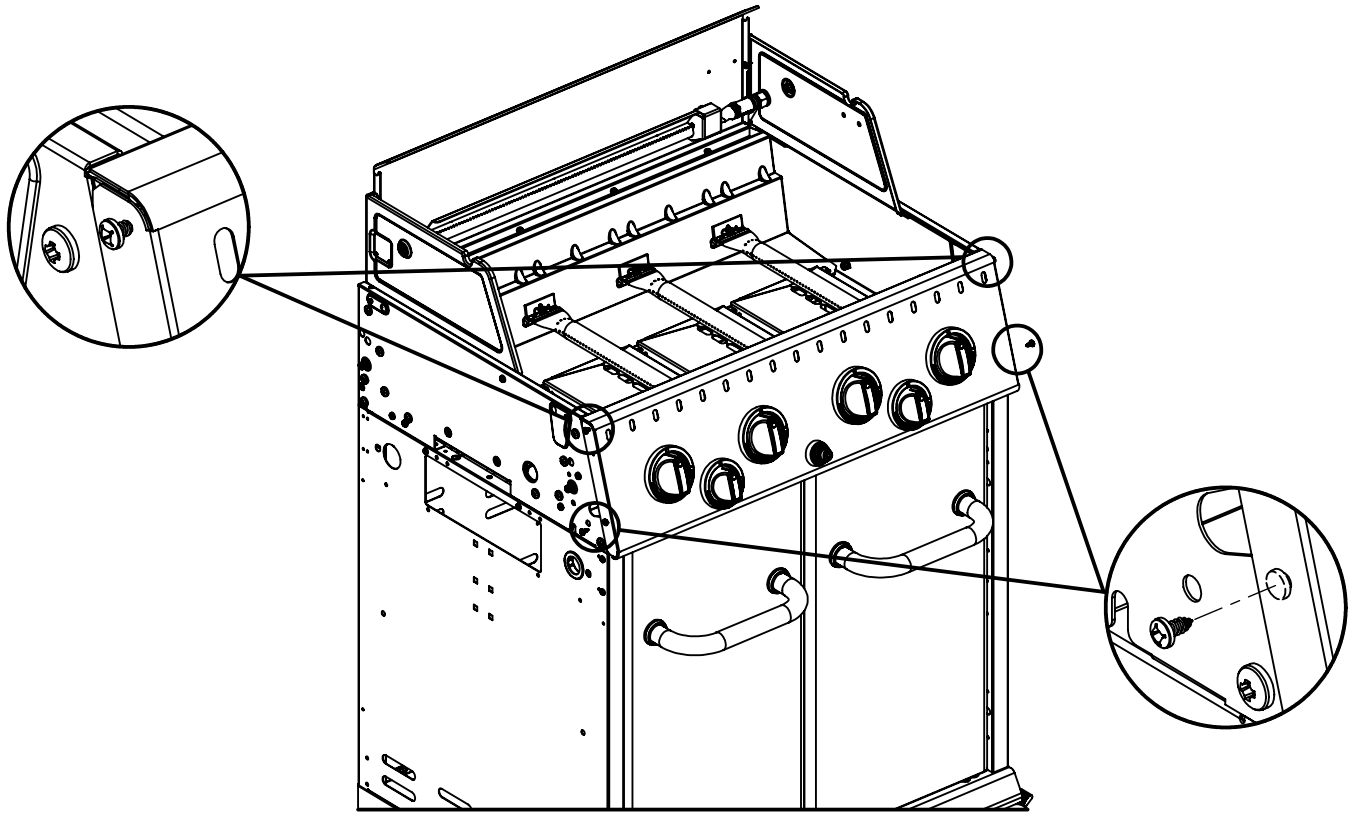
(1)



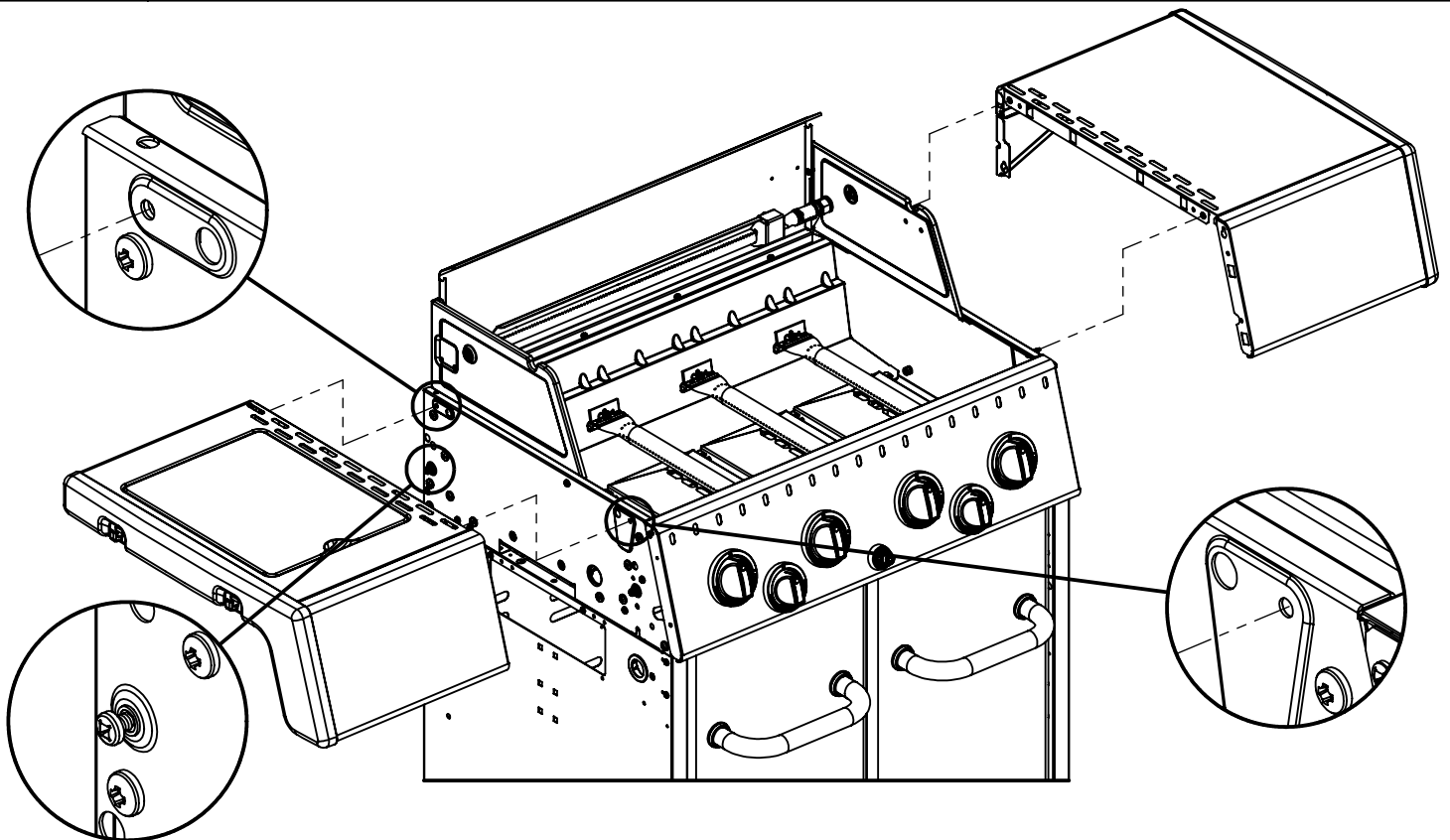
(1)



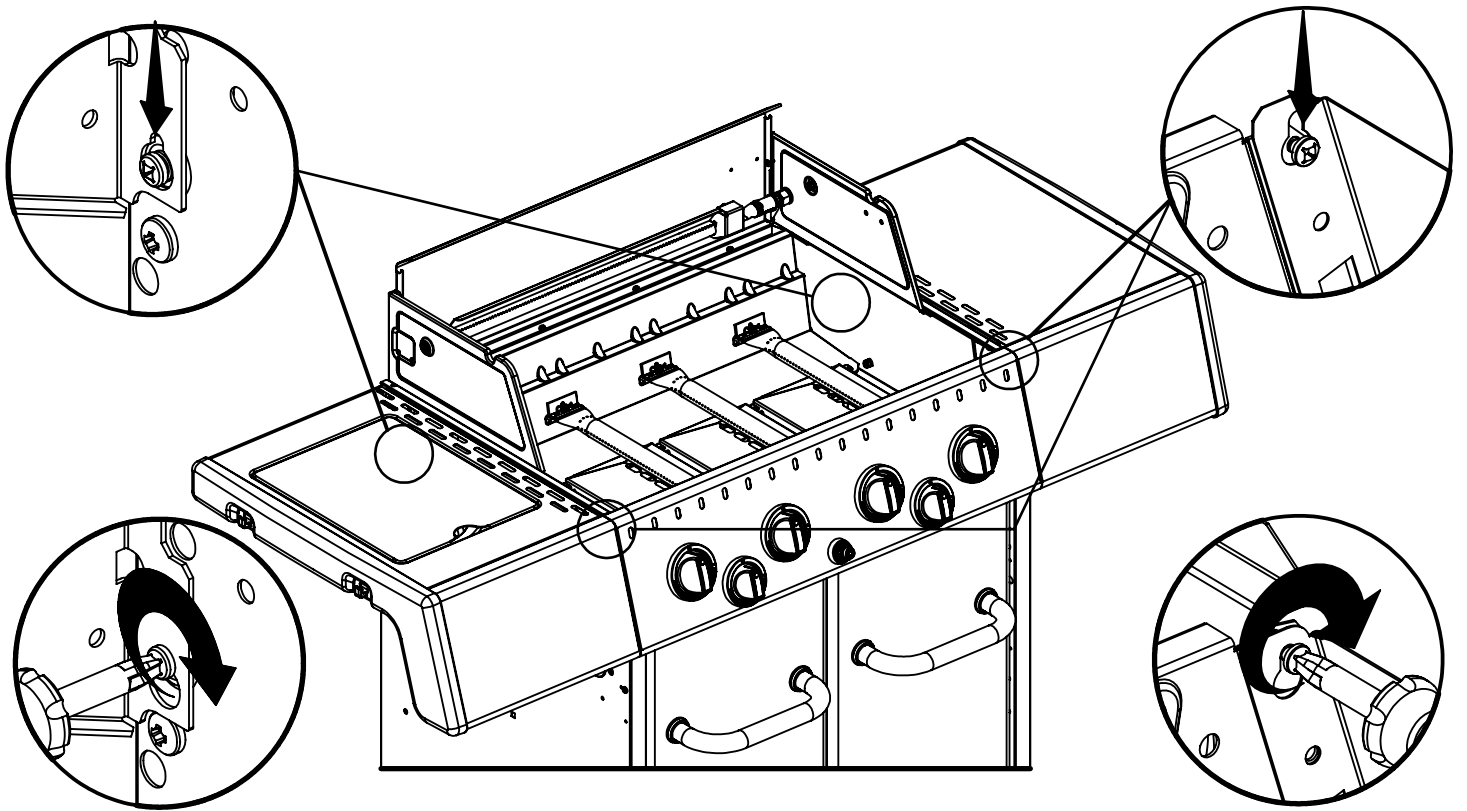
13



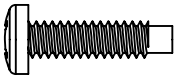
14

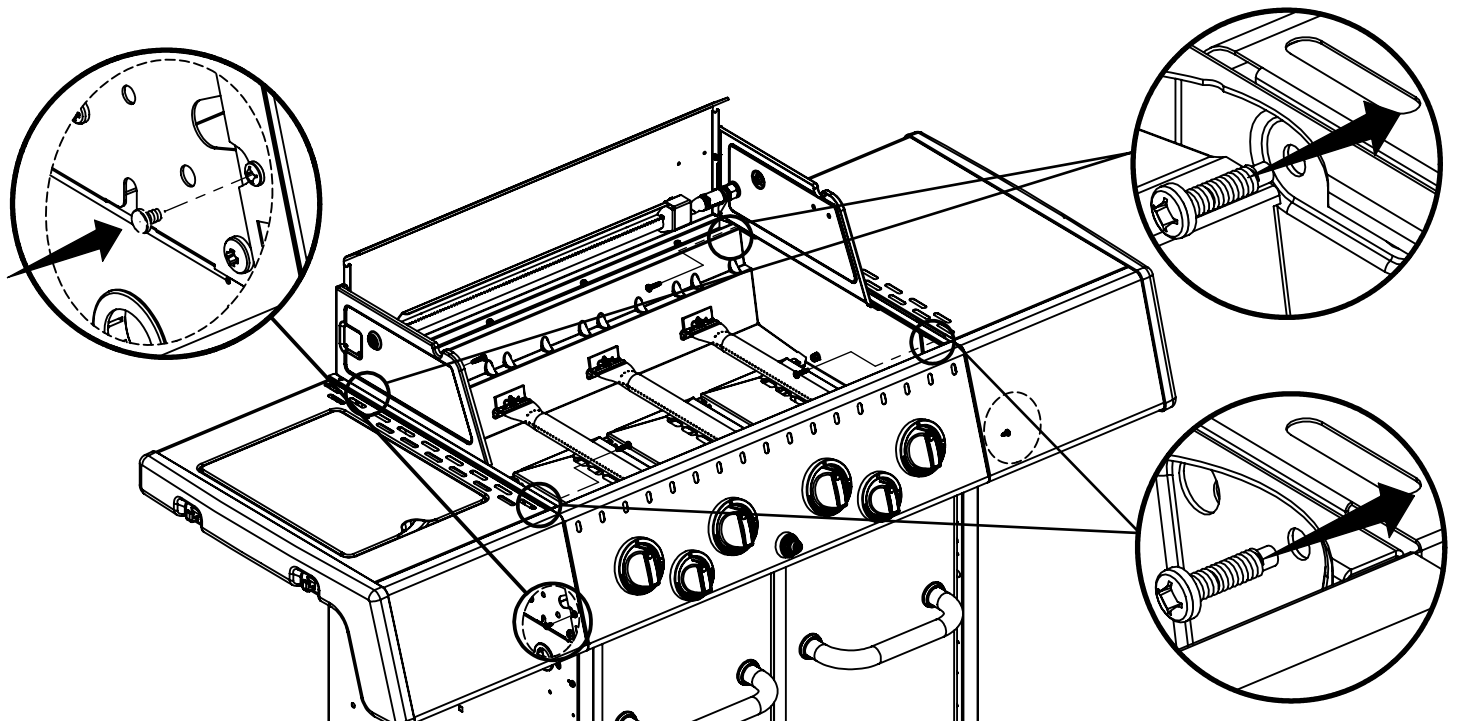


15

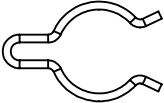


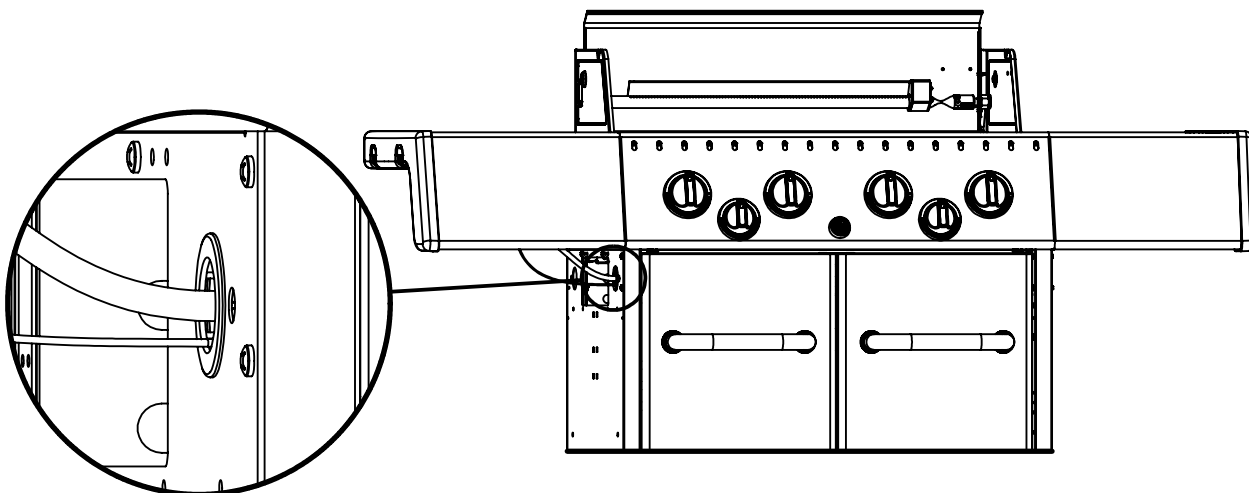
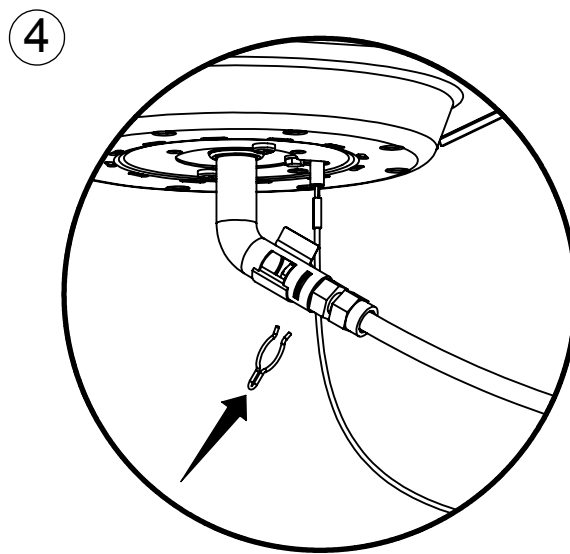
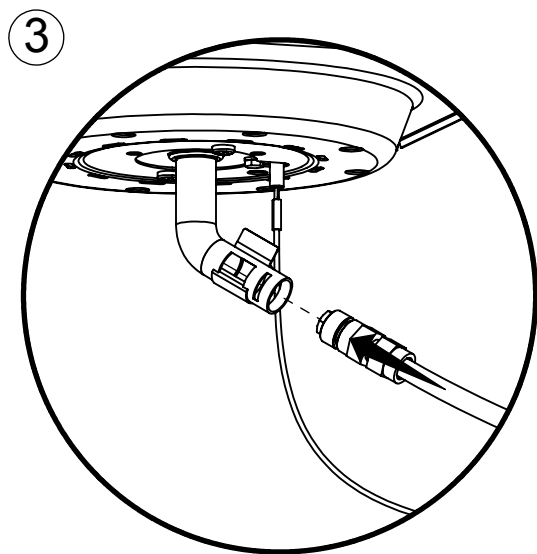
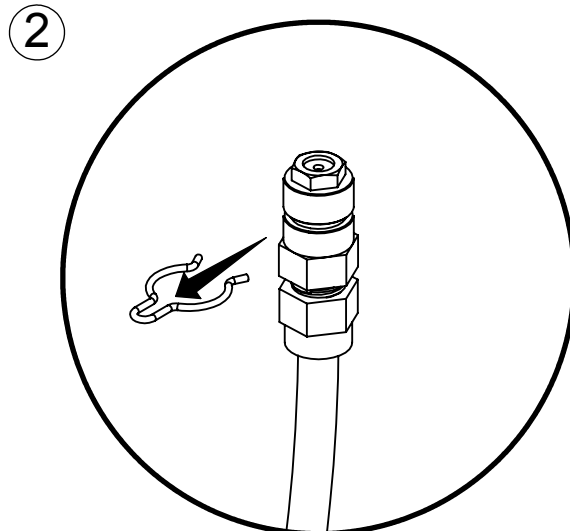
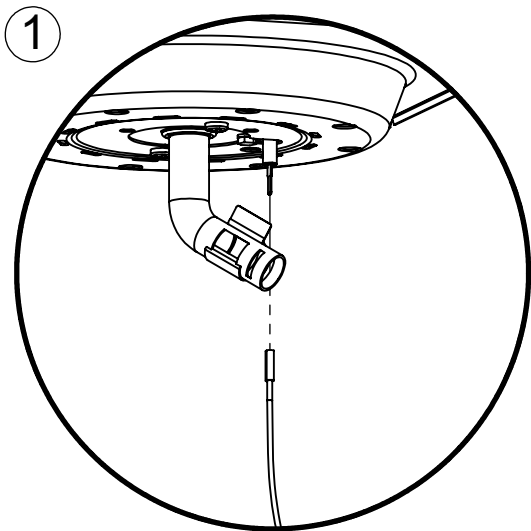
16

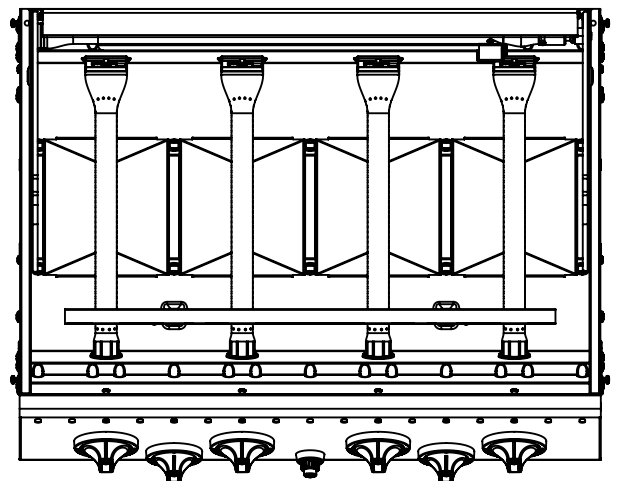
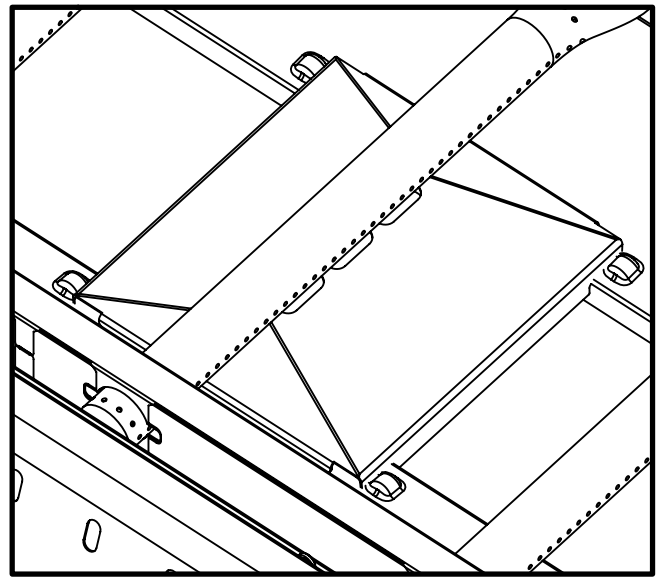
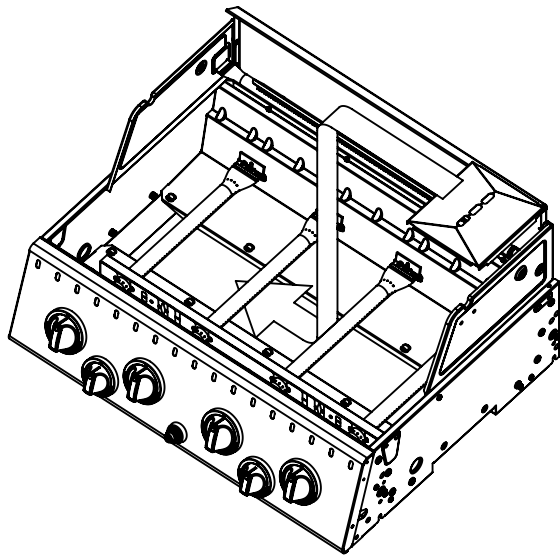
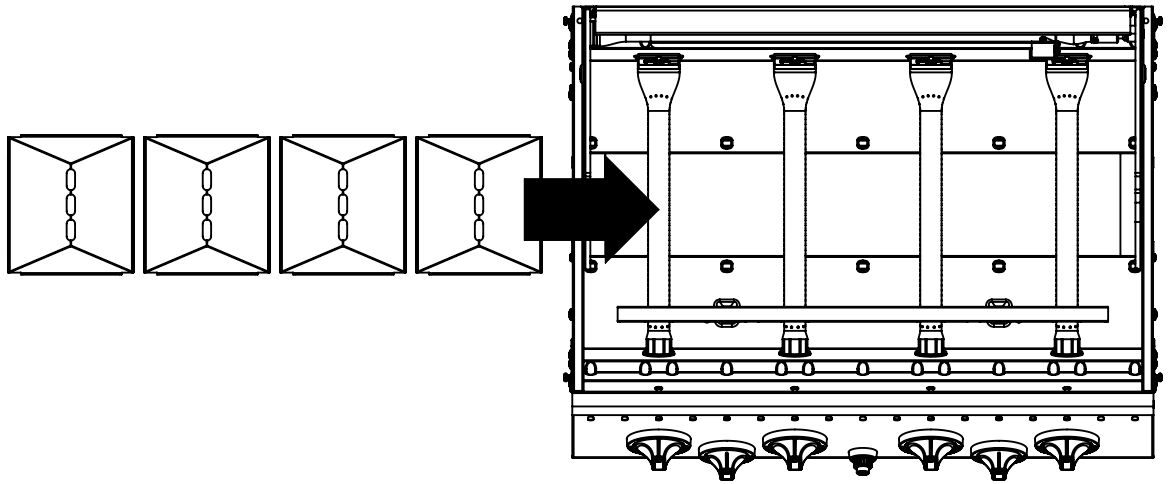
(4) 



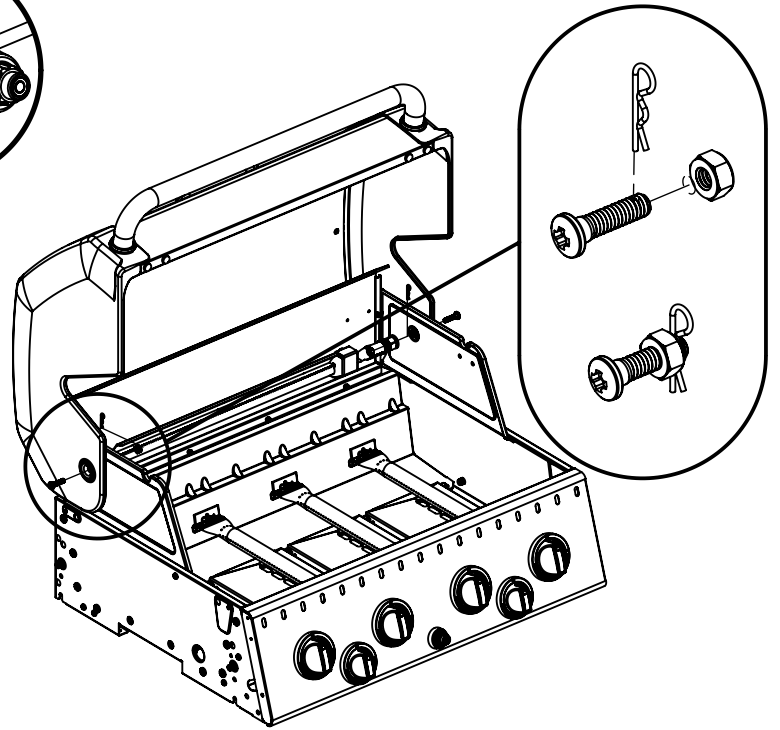
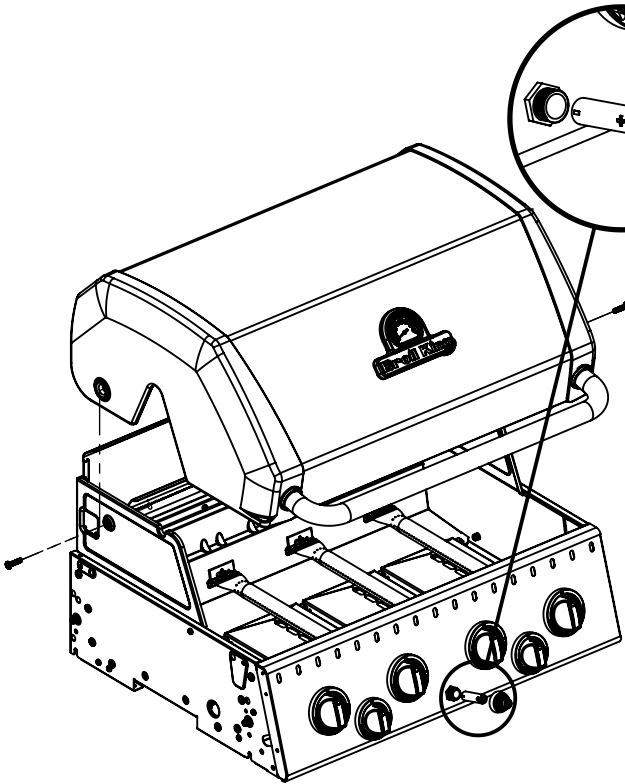
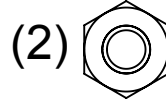
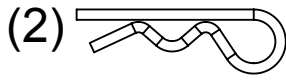
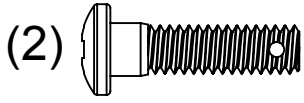
17

(1) 

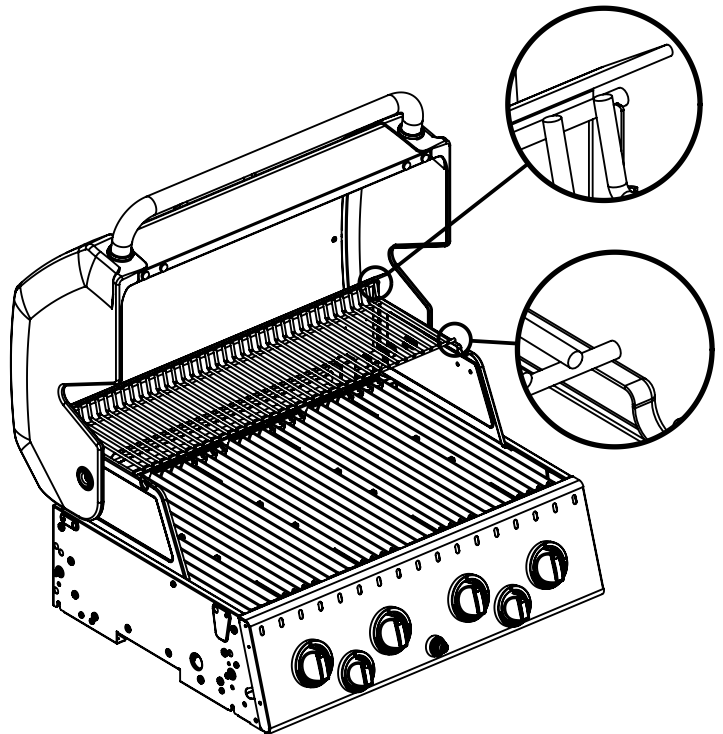
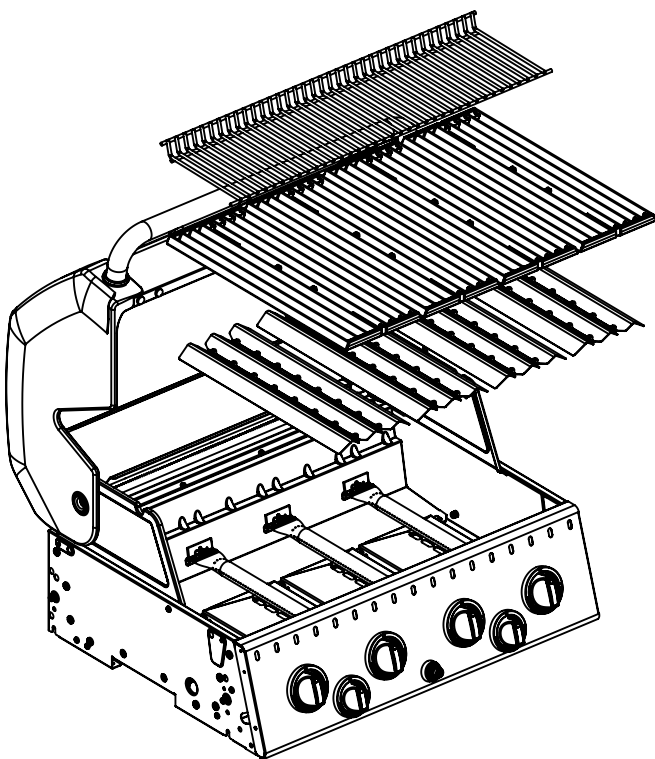




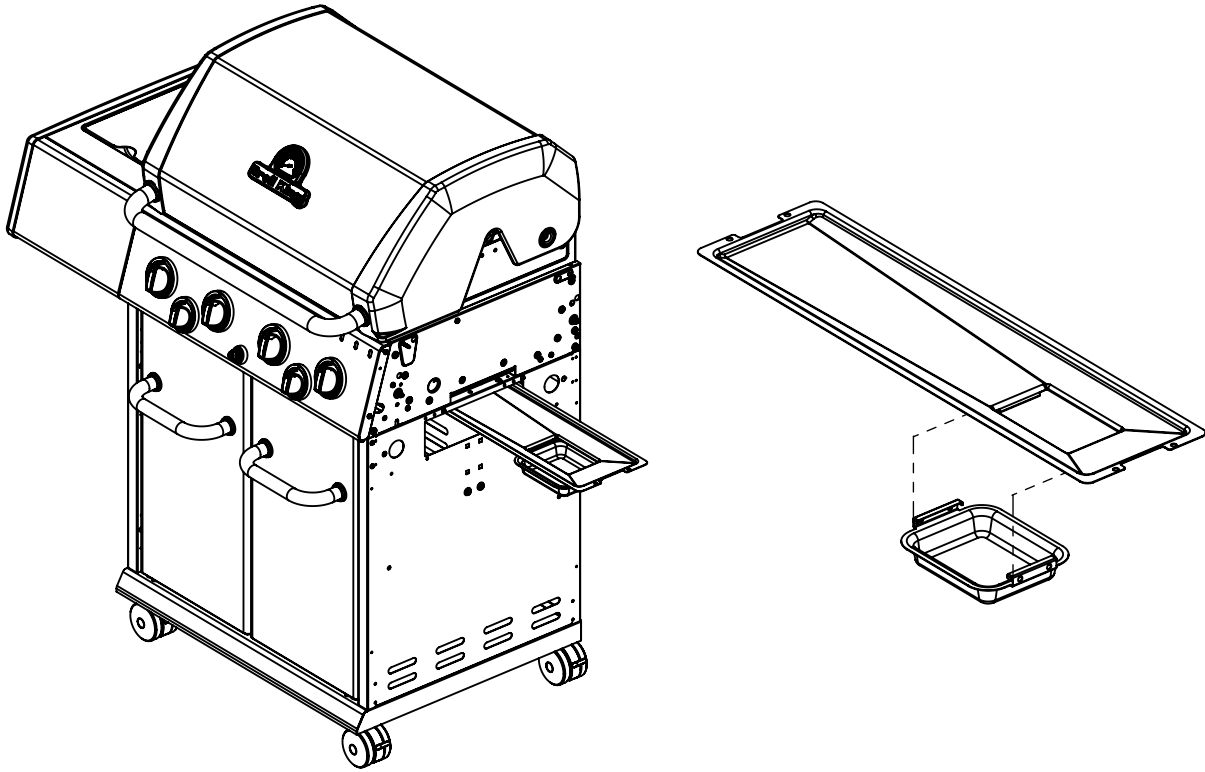
19



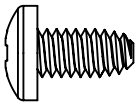
20

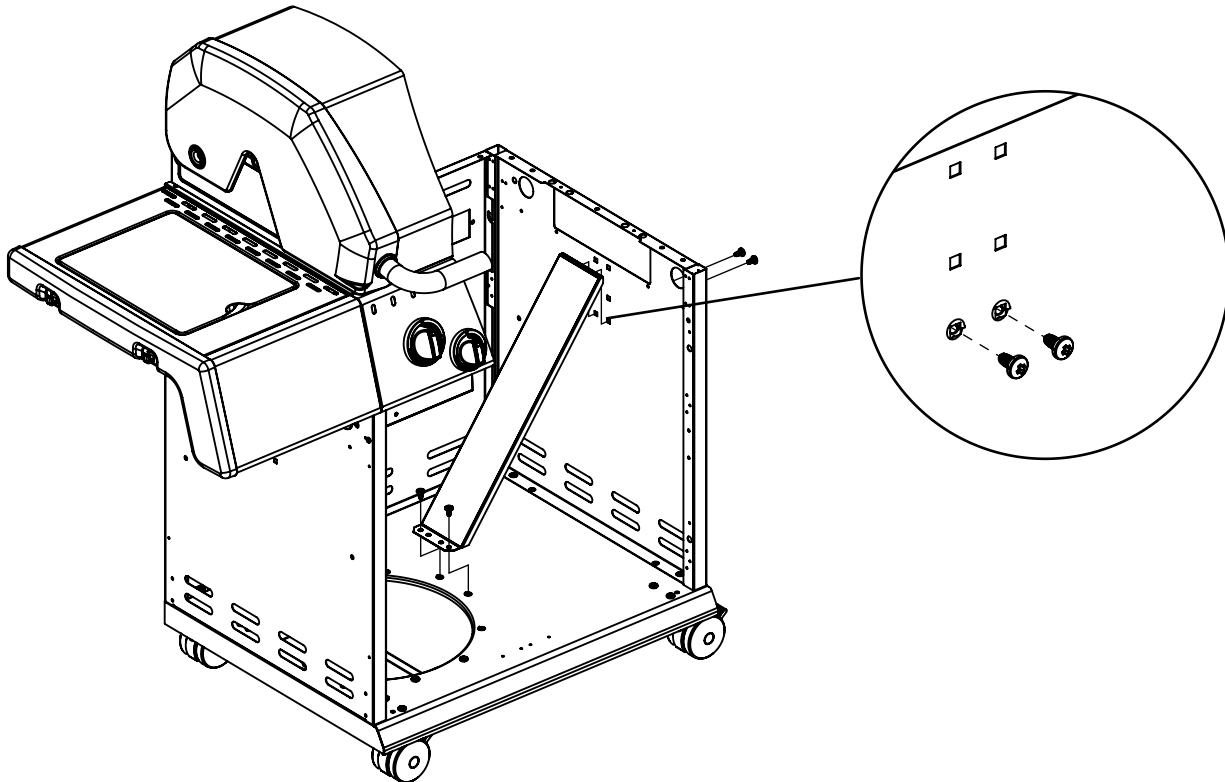


21



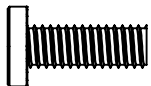
22

(4) 

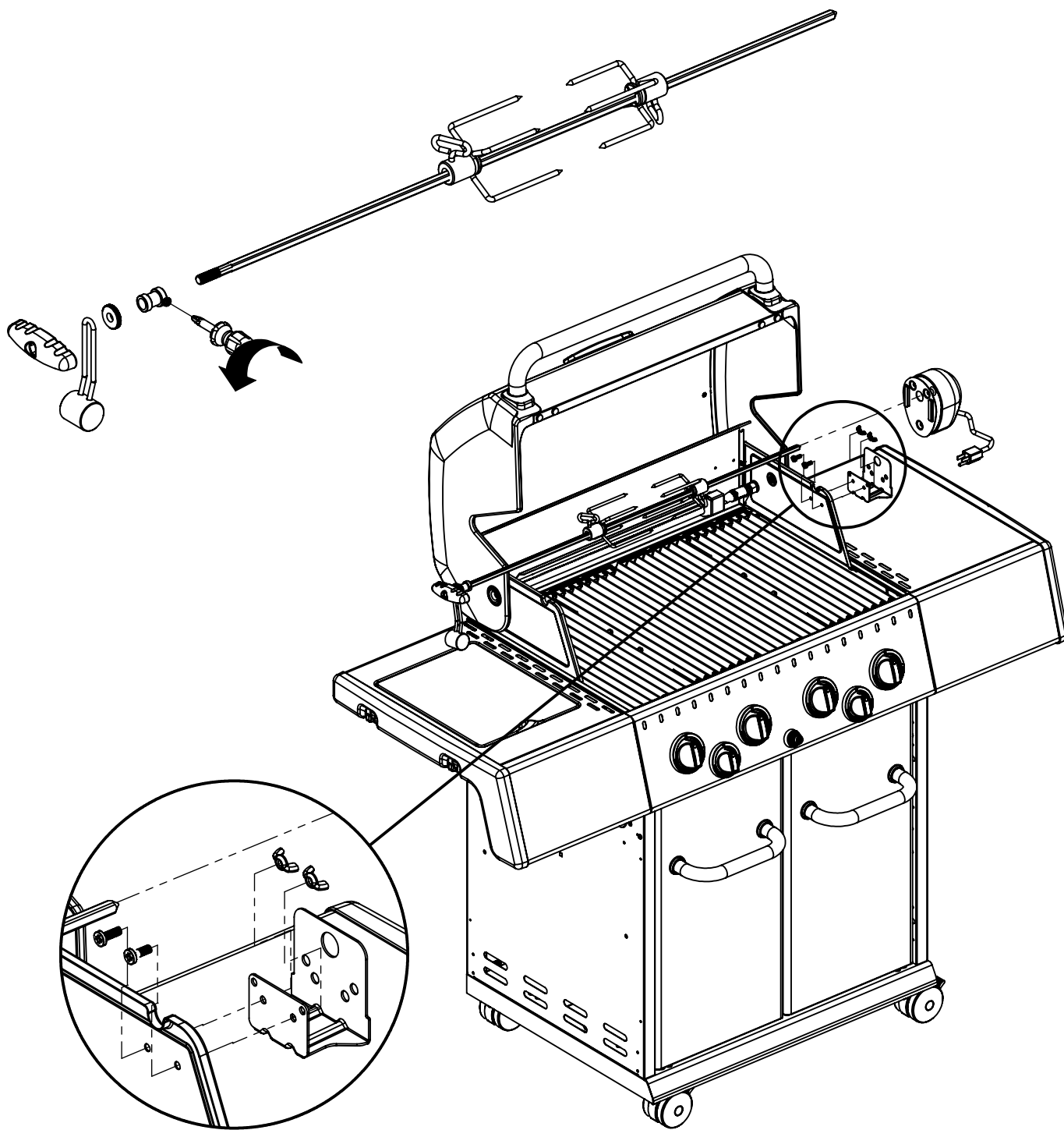


23

(2)



(2)



<u>KEY #</u>	<u>ITEM #</u>	<u>DESCRIPTION</u>	<u>982153</u>	<u>982163</u>	<u>982183</u>	<u>982553</u>	<u>982563</u>	<u>982583</u>
1	56104-831	LID - SIDE PANEL - LEFT	1	1	1	1	1	1
2	56104-811	LID - SIDE PANEL - RIGHT	1	1	1	1	1	1
3	56315-801	LID - OUTER PANEL	1	1	1	1	1	1
4	56245-30	LID - INNER PANEL	1	1	1	•	•	•
	56245-304		•	•	•	1	1	1
7	24005-12A	HANDLE	1	1	1	1	1	1
8	24009-936	HANDLE BEZEL	2	2	2	2	2	2
9	10081-BK630	NAMEPLATE	1	1	1	1	1	1
10	10571-6	HEAT INDICATOR	1	1	1	1	1	1
11	52114-131R	PANEL - SIDE UPPER - LEFT	1	1	1	1	1	1
12	52114-111R	PANEL - SIDE UPPER - RIGHT	1	1	1	1	1	1
15	56005-001P	FIREBOX	1	1	1	1	1	1
17	27249-904	GREASE SHEILD	4	4	4	4	4	4
18	52065-91	HEAT SHEILD - FRONT	1	1	1	1	1	1
19	52045-92	HEAT SHEILD - REAR	1	1	1	1	1	1
22	52305-121	PANEL - REAR	1	1	1	1	1	1
23	52315-151	PANEL - HOOD	1	1	1	1	1	1
25	52904-144D	BURNER - MAIN	•	•	•	•	•	•
	52904-144E		4	4	4	4	4	4
	52904-144NGE		•	•	•	•	•	•
26	52225-014	COLLECTOR BOX - FRONT LOWER	1	1	1	1	1	1
27	52215-014	COLLECTOR BOX - FRONT UPPER	1	1	1	1	1	1
28	52015-304	CONTROL COVER	•	•	1	•	•	1
	52015-244		•	1	•	•	1	•
	52015-144		1	•	•	1	•	•
29	59005-073	CONTROL ASSEMBLY	•	•	1	•	•	1
	59005-035		•	1	•	•	1	•
	59005-013		1	•	•	1	•	•
30	S13473-073	HOSE - SIDE BURNER	•	•	•	•	•	•
	S13473-079		•	1	1	•	1	1
	S13473-118		•	•	•	•	•	•
32	10111-15A	HOSE - EXTENSION	1	1	1	1	1	1
33	27905-354	BURNER - ROTISSERIE	•	•	1	•	•	1
34	S15508	ELECTRODE	•	•	1	•	•	1
35	50809-957	TUBE - REAR BURNER ASSEMBLY	•	•	1	•	•	1
36	Y-11990	NUT HEX	•	•	1	•	•	1
38	22002-268	CONTROL BEZEL	4	4	4	4	4	4
39	22001-168	CONTROL BEZEL	•	1	2	•	1	2
40	10472-K431	CONTROL KNOB	4	4	4	4	4	4
41	10472-K231	CONTROL KNOB	•	1	2	•	1	2
42	10342-247	ELECTRONIC IGNITOR	•	•	1	•	•	1
	10342-246		•	1	•	•	1	•
	10342-245		1	•	•	1	•	•
43	10342-E13	ELECTRODE	2	2	2	2	2	2
44	52209-404	FLAV-R-WAVE ®	4	4	4	4	4	4
45	52002-181	GRID	2	2	2	2	2	2
46	52005-991	GRID - WARMING RACK	1	1	1	1	1	1
47	57055-902	GREASE TRAY	1	1	1	1	1	1
48	21035-991	GREASE TRAY - RAIL	2	2	2	2	2	2
49	52009-902	GREASE PAN	1	1	1	1	1	1
50	51175-131A	DOOR - LEFT HAND	1	1	1	•	•	•
	51175-134A		•	•	•	1	1	1
51	51175-111A	DOOR - RIGHT HAND	1	1	1	•	•	•
	51175-114A		•	•	•	1	1	1
57	21071-13	DOOR HANDLE	1	1	1	1	1	1
58	21070-13	HANDLE BEZEL	2	2	2	2	2	2
60	21109-905	CABINET - SIDE PANEL	2	2	2	2	2	2
61	21305-925	CABINET - REAR PANEL	1	1	1	1	1	1
65	51615-235	CABINET - LOWER BASE	1	1	1	1	1	1
66	21039-301	TANK BRACKET	1	1	1	1	1	1
67	51335-211	MAGNET BRACKET	1	1	1	1	1	1
68	57139-13	CONNECTION BRACKET	4	4	4	4	4	4
73	51039-951	CASTER BRACKET	4	4	4	4	4	4

<u>KEY #</u>	<u>ITEM #</u>	<u>DESCRIPTION</u>	<u>982153</u>	<u>982163</u>	<u>982183</u>	<u>982553</u>	<u>982563</u>	<u>982583</u>
74	10892-23	CASTER	4	4	4	4	4	4
77	51239-901	TANK PREVENTION BRAKET	4	4	4	4	4	4
80	53104-111	SIDE SHELF	1	1	1	1	1	1
	53104-131	SIDE SHELF	1	•	•	1	•	•
81	53104-151	SIDE SHELF - SIDE BURNER	•	1	1	•	1	1
83	53184-118	SIDE SHELF - END CAP	1	1	1	1	1	1
85	53184-138	SIDE SHELF - END CAP	1	1	1	1	1	1
86	10390-E10D	SIDE BURNER	•	•	•	•	•	•
	10390-E10E		•	1	1	•	1	1
	10390-E10NGE		•	•	•	•	•	•
87	53004-271	SIDE BURNER - BODY	•	1	1	•	1	1
88	53000-251	SIDE BURNER - COVER	•	1	1	•	1	1
89	63139-981	SIDE BURNER GRID	•	1	1	•	1	1
92	10342-T21	SIDE BURNER ELECTRODE	•	1	1	•	1	1
93	53404-114	SIDE SHELF FRONT	•	2	2	•	2	2
94	23030-611	SIDE SHELF - BRACKET - RIGHT	•	1	1	•	1	1
95	23030-631	SIDE SHELF - BRACKET - LEFT	•	1	1	•	1	1
100	Y-12220	GROMMET	•	1	1	•	1	1
108	10693-099	REAR BURNER ORIFICE	•	•	•	•	•	•
	10693-104		•	•	1	•	•	1
	10693-161		•	•	•	•	•	•
110	S15271	HANDLE	•	•	1	•	•	1
111	S15270	BALANCE	•	•	1	•	•	1
112	S15299	WASHER	•	•	1	•	•	1
113	S15263	BUSHING	•	•	1	•	•	1
114	S15259	ROTISSERIE ROD	•	•	1	•	•	1
115	S15259	4 PRONG FORK	•	•	1	•	•	1
116	57039-901	ROTISSERIE BRACKET	•	•	1	•	•	1
129	S21123	SCREW - #8 X 1/2	12	12	12	12	12	12
130	Y-12835	SCREW - #6 X 1/4	•	2	2	•	2	2
131	S21125	SCREW - #8 X 3/8	20	20	20	20	20	20
132	S21124	SCREW - #8 X 1/2	13	13	13	13	13	13
133	Y-12646	SCREW - SHOULDER #8 X 1/2	10	10	10	10	10	10
134	Y-29304	SCREW - #10-24 X 3/8	30	30	30	30	30	30
135	S35094	SCREW - #10-24 X 5/8	1	1	1	1	1	1
136	Y-29310	SCREW - #10-24 X 3/4	8	8	8	8	8	8
137	S35095	SCREW - #10-24 X 5/8	•	•	2	•	•	2
140	Y-12865	SCREW - 1/4-20 X 1/2	60	60	60	60	60	60
142	Y-12860	SCREW - 1/4-20 X 1	2	2	2	2	2	2
145	Y-11546	SCREW - SHOULDER 1/4-20 X 5/8	6	6	6	6	6	6
150	Y-29307	NUT - #10-24	2	2	2	2	2	2
151	Y-11793	NUT - 1/4-20	2	2	2	2	2	2
153	Y-11795	NUT - 1/4-20 LOCK	2	2	2	2	2	2
154	S21061	WING NUT #10	•	•	2	•	•	2
160	Y-12857	WASHER	4	4	4	4	4	4
162	Y-12870	WASHER #10	6	6	6	6	6	6
163	S21252	WASHER - M4	8	8	8	8	8	8
169	S21233	CLIP	2	2	2	2	2	2
170	10240-23	HINGE PIN	2	2	2	2	2	2
171	S21242	CLIP	4	4	4	4	4	4
172	Y-11544	BURNER SCREW	4	4	4	4	4	4
173	10240-19	DOOR HINGE PIN - TOP	2	2	2	2	2	2
174	10240-20	DOOR HINGE PIN - BOTTOM	2	2	2	2	2	2
175	Y-12127	DOOR CLIP	2	2	2	2	2	2
176	Y-12124	DOOR HINGE COVER	2	2	2	2	2	2
177	Y-12222	MAGNET	2	2	2	2	2	2
178	Y-12223	MAGNET - SNAP IN	2	2	2	2	2	2
180	Y-11235	LID BUMPER	4	4	4	4	4	4
181	Y-11231	LID BUMPER - ROUND	2	2	2	2	2	2
182	20005-000	MATCH LIGHT CHAIN	1	1	1	1	1	1
183	Y-11230	RETAINER CLIP	•	1	1	•	1	1
184	S21362	SPRING	•	•	1	•	•	1
185	S15245	MOTOR	•	•	1	•	•	1

